

NC80 Dri-Prime® Pump

WITH FINAL TIER 4 DIESEL ENGINE

The Godwin Dri-Prime NC80 pump is an extremely powerful yet compact pump with flow capabilities to 520 USGPM.

The NC80 features the unique patented Flygt N-technology with its innovative self-cleaning impeller.

NC Series pumps are engineered to deliver sustained high efficiency resulting in lower energy and fuel costs while reducing unplanned downtime.

This makes the NC80 a best-in-class portable pump suitable for both sewage and clean water applications.



Features and Benefits

- Dri-Prime (continuously operated Venturi air ejector priming device) requiring no periodic adjustment. Optional compressor clutch available.
- Incorporates N-technology for non-clog performance, sustained high efficiency and long-term energy/fuel savings.
- Hard-Iron™ (EN12513:2000) impeller and insert ring.
- Dry-running, high-pressure oil bath mechanical seal with highly abrasion resistant silicon carbide faces.
- Close-coupled centrifugal pump mounted to a diesel engine or electric motor for easy pump/engine/motor changeover in the field.
- Also available in a critically silenced unit that reduces noise levels to less than 70 dBA at 30'.
- Standard engine Yanmar 3TNV80F (FT4) EPA emissions compliant diesel engine.

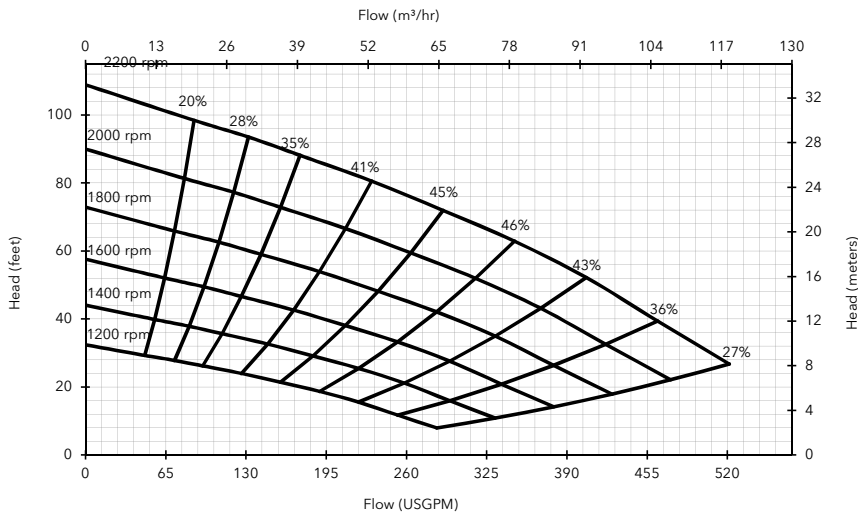
Specifications

Suction connection	4" 150# ANSI B16.5
Delivery connection	3" 150# ANSI B16.5
Max capacity	520 USGPM †
Max Impeller diameter	8.4"
Max operating temp	176°F*
Max working pressure	58 psi
Max suction pressure	41 psi
Max casing pressure	87 psi
Max operating speed	2200 rpm

* Please contact our office for applications in excess of 176°F.

† Larger diameter pipes may be required for maximum flows.

Performance Curve



Materials

Pump casing & suction cover	Cast iron BS1561:1997
Wearplates	Front - Hard Iron EN12513:2000 Rear - Cast Iron BS1561:1997 0
Pump Shaft	Carbon steel BS970:1991 817M40T
Impeller	Hard Iron EN12513:2000
Non-return Valve body	Cast iron BS1561:1997
Mechanical Seal	Silicon carbide face; Viton elastomers; Stainless steel body

Engine option 1

Yanmar, 3TNV80F (FT4), 18 HP @ 2200 rpm

Impeller diameter 8.4"

Pump speed 2200 rpm

Suction Lift Table

Total Suction Head (feet)	Total Delivery Head (feet)				
	20	52	69	79	92
	Output (USGPM)				
10	377	266	184	131	49
15	361	246	148	105	-
20	341	213	131	82	-
25	295	197	98	66	-

Fuel capacity: 30 US Gal

Max Fuel consumption @ 2200 rpm: 1.2 US Gal/hr

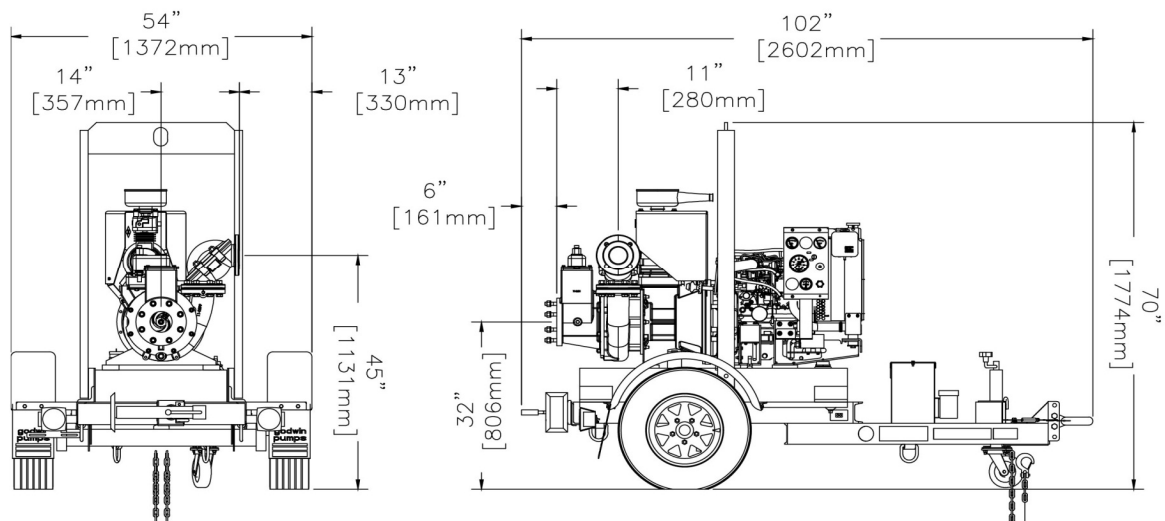
Max Fuel consumption @ 1800 rpm: 0.7 US Gal/hr

Weight (Dry): 1,900 lbs

Weight (Wet): 2,120 lbs

Dimensions: (L) 102" x (W) 54" x (H) 70"

Performance data provided in tables is based on water tests at sea level and 20°C ambient. All information is approximate and for general guidance only. Please contact the factory or office for further details.



xylem
Let's Solve Water

84 Floodgate Road
Bridgeport, NJ 08014 USA
(856) 467-3636 · Fax (856) 467-4841

Reference number : 200GPA0000163
Date of issue : November 3, 2015
Issue : -

www.godwinpumps.com