

HL130M Dri-Prime® Pump

The Godwin Dri-Prime HL130M pump offers flow rates to 1500 USGPM and has the capability of discharge pressures to 273 psi.

The HL130M is able to automatically prime to 28' of suction lift from dry. Automatic or manual starting/stopping available through integral mounted control panel or optional wireless-remote access.

High discharge pressure, dry-running, and portability make the HL130M the perfect choice for mining, industrial and emergency fire backup applications.

Features and Benefits

- Simple maintenance normally limited to checking fluid levels and filters.
- Dri-Prime (continuously operated Venturi air ejector priming device) requiring no periodic adjustment or control. Optional automatic on-off control available on the priming system.
- Dry-running high pressure liquid bath mechanical seal with high abrasion resistant solid silicon carbide faces.
- Close-coupled centrifugal pump with Dri-Prime system coupled to a diesel engine or electric motor.
- All cast iron construction (stainless steel construction option available) with cast steel impeller.
- Also available in a critically silenced unit which reduces noise levels to less than 70dBA at 30'.
- Standard engine Caterpillar C9 (T3 Flex). Also available with John Deere 6090HFC94 (IT4).



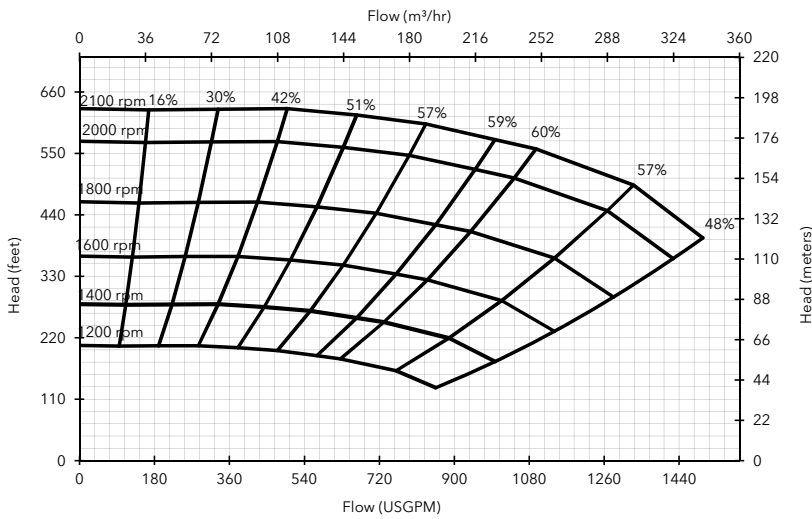
Specifications

Suction connection	6" 150# ANSI B16.5
Delivery connection	4" 300# ANSI B16.5
Max capacity	1500 USGPM †
Max solids handling	0.9"
Max Impeller diameter	20.2"
Max operating temp	176°F*
Max working pressure	273 psi
Max suction pressure	87 psi
Max casing pressure	410 psi
Max operating speed	2100 rpm

* Please contact our office for applications in excess of 176°F.

† Larger diameter pipes may be required for maximum flows.

Performance Curve



Engine option 1

Caterpillar C9 (T3 Flex), 300 HP @ 2100 rpm

Impeller diameter 20.2"

Pump speed 2100 rpm

Suction Lift Table

Total Suction Head (feet)	Total Delivery Head (feet)				
	363	489	525	562	598
	Output (USGPM)				
10	1502	1318	1179	1008	675
15	1479	1294	1156	994	629
20	1456	1294	1110	925	592
25	1433	1294	1156	832	462

Fuel capacity: 200 US Gal

Max Fuel consumption @ 2100 rpm: 15.5 US Gal/hr

Max Fuel consumption @ 1900 rpm: 15.2 US Gal/hr

Weight (Dry): 9,050 lbs

Weight (Wet): 10,490 lbs

Dimensions: (L) 152" x (W) 60" x (H) 97"

Performance data provided in tables is based on water tests at sea level and 20°C ambient. All information is approximate and for general guidance only. Please contact the factory or office for further details.

Materials

Pump casing & suction cover	Cast iron BS EN 1561 - 1997
Wearplates	High Chromium Cast Iron HC403:1977 Grade FR6252
Pump Shaft	Carbon steel BS 970 - 1991 817M40T
Impeller	Cast Steel BS3100 A5 Hardness to 200 HB Brinell
Non-return valve body	Steel
Mechanical seal	Silicon carbide face; Viton elastomers; Stainless steel body

Engine option 2

John Deere 6090HFC94 (IT4), 303 HP @ 2100 rpm

Impeller diameter 20.2"

Pump speed 2100 rpm

Suction Lift Table

Total Suction Head (feet)	Total Delivery Head (feet)				
	363	489	525	562	598
	Output (USGPM)				
10	1502	1318	1179	1008	675
15	1479	1294	1156	994	629
20	1456	1294	1110	925	592
25	1433	1294	1156	832	462

Fuel capacity: 200 US Gal

Max Fuel consumption @ 2100 rpm: 15.2 US Gal/hr

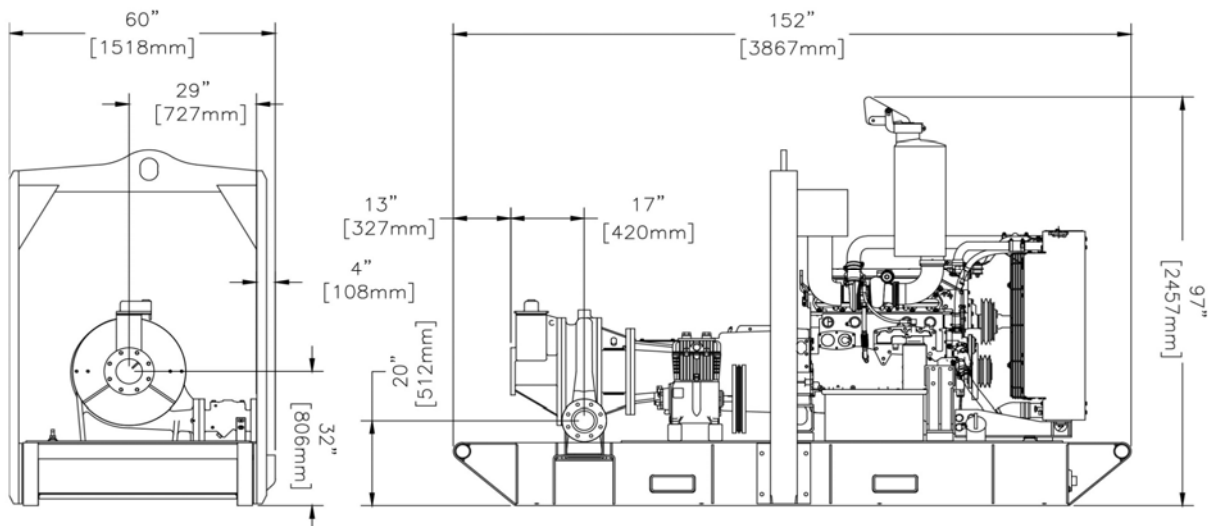
Max Fuel consumption @ 1900 rpm: 14.9 US Gal/hr

Weight (Dry): 9,630 lbs

Weight (Wet): 11,070 lbs

Dimensions: (L) 152" x (W) 60" x (H) 97"

Performance data provided in tables is based on water tests at sea level and 20°C ambient. All information is approximate and for general guidance only. Please contact the factory or office for further details.



84 Floodgate Road
Bridgeport, NJ 08014 USA
(856) 467-3636 . Fax (856) 467-4841
Email: sales@godwinpumps.com

Reference number : 95-1116-3000
Date of issue : February 26, 2014
Issue : 3

www.godwinpumps.com