

CD80D Dri-Prime® Pump

The Godwin Dri-Prime CD80D pump is an extremely powerful yet compact pump with flow capabilities to 96 m³/hr and discharge heads to 36 metres.

The CD80D features the unique Godwin high pressure oil bath mechanical seal design. This allows for dry running for prolonged periods while automatically priming and repriming. Able to perform in the toughest conditions, the CD80D can handle solids up to 40 mm in diameter. This makes it an extremely effective pump, suitable for both slurry and clean water applications. The powerful CD80D has proven itself a pump of choice for small dewatering and bypass applications.



Features and Benefits

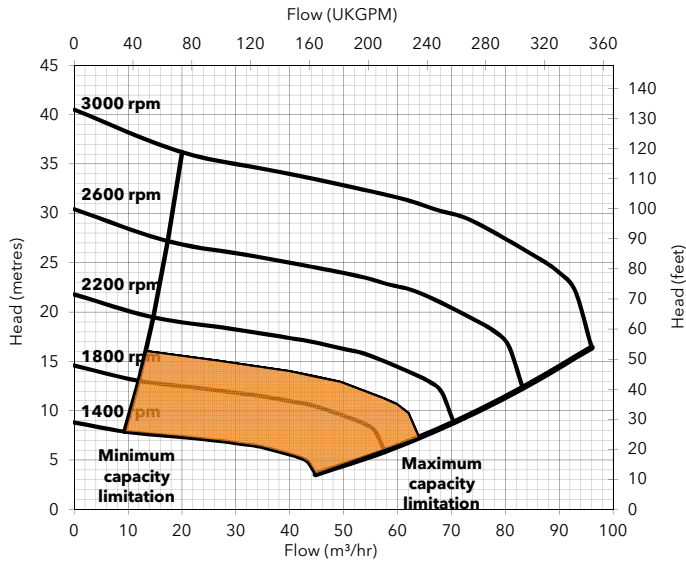
- Fully automatic priming from dry to 8.5 metres suction lift.
- Godwin Dri-Prime is a continuously operated Venturi air ejector priming device which requires no periodic adjustment or control.
- Extensive application flexibility. It will handle sewage, slurries and liquids with solids up to 40 mm in diameter.
- Dry-running high pressure oil bath mechanical seal, with high abrasion resistant silicon carbide faces.
- A Close-coupled centrifugal pump with Godwin Dri-Prime system mounted to a diesel engine or electric drive.
- All cast iron construction (stainless steel construction option available) with cast steel impeller.
- Also available as Hush-Pac, bareshaft pumpend or highway trailer.
- Standard build engines; Kubota Z482. Other engine options are available.

Specifications

Suction connection	80 mm (3" BS10 Table 'D')
Delivery connection	80 mm (3" BS10 Table 'D')
Max capacity	96 m ³ /hr
Max Head	36 metres
Max Solids handling	40 mm
Max Impeller diameter	166 mm
Max operating temp	80 °C
Max working pressure	4.0 bar
Max suction pressure	2.8 bar
Max casing pressure	6.0 bar
Max operating speed	3000 rpm

godwin 
a xylem brand

Performance Curve



Engine option 1

Price list ref - CD80D-01-DBO-001

Kubota, Z482, 4.5 kW @ 2000 rpm

Impeller diameter 166 mm

Pump Speed 2000 rpm

Suction Lift Table

Total Suction Head (metres)	Total Delivery Head (metres)				
	3	7	9	11	14
	Output (m³/hr)				
3.0	65	60	52	40	10
4.6	63	55	45	-	-
6.1	55	45	30	-	-
7.6	45	35	15	-	-

Fuel capacity (Full) 72 litres, (Usable) 58 litres

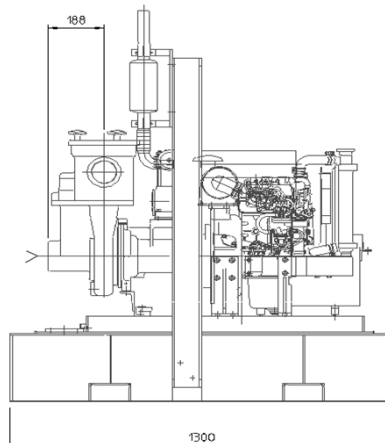
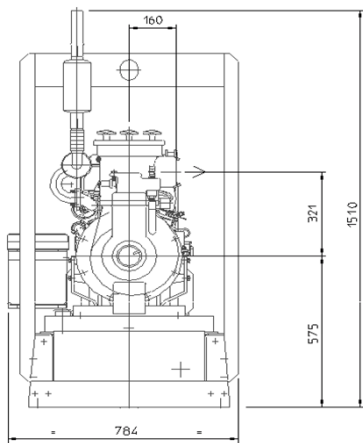
Fuel consumption @ 2000 rpm BEP 1 litres/hour

Weight: (Dry) 509 kg, (Wet) 569 kg

Dimensions: (L) 1,300 x (W) 784 x (H) 1,510 mm

Performance data provided in tables is based on water tests at sea level and 20°C ambient. All information is approximate and for general guidance only. Please contact the factory or office for further details.

CD80D Kubota Z482



Materials

Pump casing & suction cover	Cast iron BS EN 1561 - 1997
Wearplates	Cast iron BS EN 1561 - 1997
Pump Shaft	Carbon steel BS 970 - 1991 817M40T
Impeller	Cast Steel BS3100 A5 Hardness to 200 HB Brinell
Non-return Valve body	Cast iron BS EN 1561 - 1997
Mechanical Seal Faces	Silicon carbide vs silicon carbide



Xylem Dewatering Solutions UK Ltd
 Quenington, Cirencester
 Gloucestershire GL7 5BX, England
 Tel: 01285 750271 Fax: 01285 750352



Assessed to ISO 9001:2008
 Certificate N° 1027

Reference number :95-1006-1000
 Date of issue : 05 December 2012
 Issue : 10

www.godwinpumps.com