

CD225M Dri-Prime® Pump

WITH FINAL TIER 4 (FT4) DIESEL ENGINE

The Godwin Dri-Prime CD225M pump offers flow rates to 3240 USGPM and has the capability of handling solids up to 3.0" in diameter.

The CD225M is able to automatically prime to 28' of suction lift from dry. Automatic or manual starting/stopping available through integral mounted control panel or optional wireless-remote access.

Indefinite dry-running is no problem due to the unique Godwin liquid bath mechanical seal design. Solids handling, dry-running, and portability make the CD225M the perfect choice for dewatering and bypass applications.



Features and Benefits

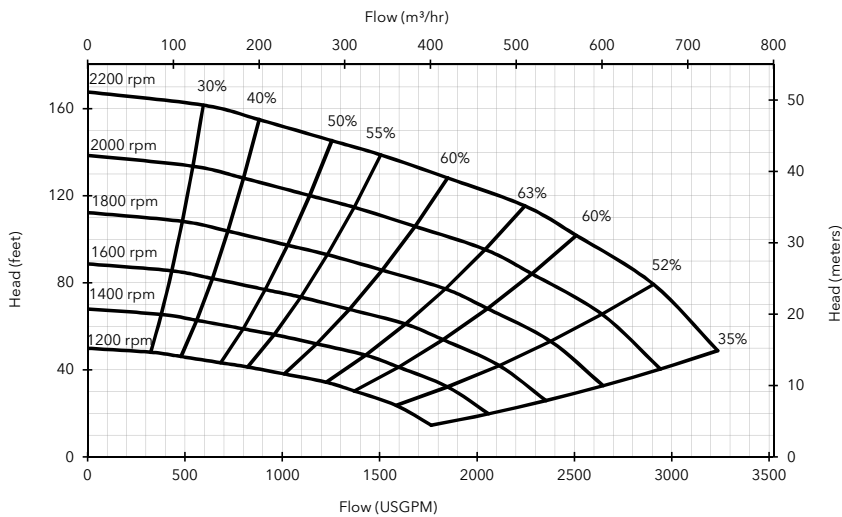
- Simple maintenance normally limited to checking fluid levels and filters.
- Dri-Prime (continuously operated Venturi air ejector priming device) requiring no periodic adjustment. Optional compressor clutch available.
- Extensive application flexibility handling sewage, slurries, and liquids with solids up to 3.0" in diameter.
- Dry-running high pressure liquid bath mechanical seal with high abrasion resistant solid silicon carbide faces.
- Close-coupled centrifugal pump with Dri-Prime system coupled to a diesel engine or electric motor.
- All cast iron construction (stainless steel construction option available) with cast steel impeller.
- Also available in a critically silenced unit which reduces noise levels to less than 70 dBA at 30'.
- Standard engine John Deere 4045HFC04 (FT4). Also available with JCB TCAE-93 (FT4).

Suction connection	8" 150# ANSI B16.5
Delivery connection	8" 150# ANSI B16.5
Max capacity	3240 USGPM †
Max solids handling	3.0"
Max impeller diameter	11.4"
Max operating temp	176°F*
Max working pressure	80 psi
Max suction pressure	73 psi
Max casing pressure	120 psi
Max operating speed	2200 rpm

* Please contact our office for applications in excess of 176°F.

† Larger diameter pipes may be required for maximum flows.

Performance Curve



Engine option 1

John Deere 4045HFC04 (FT4), 99 HP @ 2200 rpm

Impeller diameter 11.4"

Pump speed 2200 rpm

Suction Lift Table

Total Suction Head (feet)	Total Delivery Head (feet)				
	42	70	101	121	137
	Output (USGPM)				
10	3148	2906	2325	-	-
15	2906	2543	2058	1695	-
20	1695	1695	1695	1453	-
25	1211	1211	1211	969	387

Fuel capacity: 100 US Gal

Max fuel consumption @ 2200 rpm: 6.4 US Gal/hr

Max fuel consumption @ 1800 rpm: 3.3 US Gal/hr

Weight (Dry): 5,500 lbs

Weight (Wet): 6,220 lbs

Dim.: (L) 155" x (W) 77" x (H) 97"

Performance data provided in tables is based on water tests at sea level and 20°C ambient. All information is approximate and for general guidance only. Please contact the factory or office for further details.

Materials

Pump casing & suction cover	Cast iron BS EN 1561 - 1997
Wearplates	High Chromium Cast Iron HC403:1977
Pump Shaft	Carbon steel BS 970 - 1991 817M40T
Impeller	Cast Steel BS3100 A5 Hardness to 200 HB Brinell
Non-return valve body	Cast iron BS EN 1561 - 1997
Mechanical seal	Silicon carbide face; Viton elastomers; Stainless steel body

Engine option 2

JCB TCAE-93 (FT4), 118 HP @ 2200 rpm

Impeller diameter 11.4"

Pump speed 2200 rpm

Suction Lift Table

Total Suction Head (feet)	Total Delivery Head (feet)				
	42	70	101	121	137
	Output (USGPM)				
10	3148	2906	2325	-	-
15	2906	2543	2058	1695	-
20	1695	1695	1695	1453	-
25	1211	1211	1211	969	387

Fuel capacity: 100 US Gal

Max fuel consumption @ 2200 rpm: 6.2 US Gal/hr

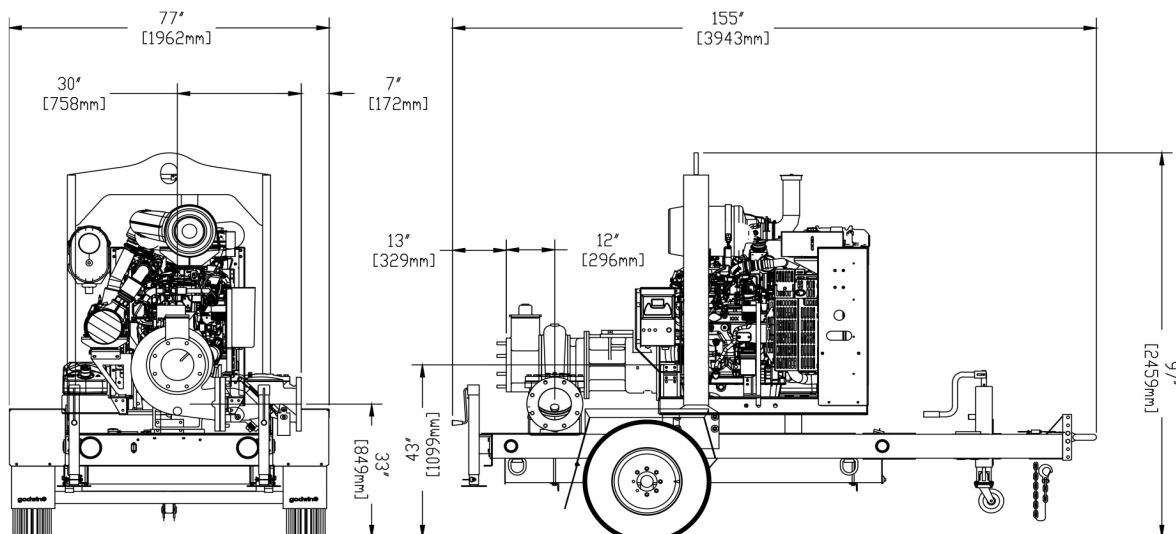
Max fuel consumption @ 1800 rpm: 3.3 US Gal/hr

Weight (Dry): 5,230 lbs

Weight (Wet): 5,950 lbs

Dim.: (L) 155" x (W) 77" x (H) 97"

Performance data provided in tables is based on water tests at sea level and 20°C ambient. All information is approximate and for general guidance only. Please contact the factory or office for further details.



84 Floodgate Road
Bridgeport, NJ 08014 USA
(856) 467-3636 . Fax (856) 467-4841

Reference number : 200GPA0001000
Date of issue : November 2, 2015
Issue : -

www.godwinpumps.com