



Flygt Submersible Pumps

AVAILABLE FOR RENTAL AND SALE

FLYGT
a xylem brand



Your Task. Our Force.

Xylem offers a broad range of Flygt pumps for construction, mining, municipalities, and other markets. We provide an industry-leading rental fleet, world-class engineering support, and true 24/7 service and support.

Our great pumps are available to meet all of your needs—with MSHA approval, in stainless steel, and in hard iron options—and available for rental and sale.

Table of Contents

Pump Features.....	5
2600 Series Dewatering Pumps.....	8-9
2600 Series Sludge Pumps	10
VORTEX IMPELLERS	
BIBO 2800 Series Dewatering Pumps.....	14-15
2000 Series Dewatering Pumps.....	16-18
Stainless Steel 2700 Series Dewatering Pumps....	19
Stainless Steel 2700 Series Sludge Pumps VORTEX IMPELLERS	20
Stainless Steel 3000 Series Sludge and Solids-Handling Sewage Pumps	22
3000 Series Solids-Handling Sewage Pumps CLOSED IMPELLERS	23
3000 Series N-Pump Sewage Pumps N-IMPELLERS	25-27
3000 Series Heavy-Duty Sewage Pumps for Rental	28-29
5000 Series Heavy-Duty Slurry Pumps.....	31-33
Flygt Accessories.....	34-35



Over 60 years of dependable pumping

Since they were developed over sixty years ago, customers have come to trust the compact, heavy-duty design of Flygt submersible pumps. The Flygt brand was the first to provide a practical, heavy-duty electric submersible pump that could withstand the severe demands of construction site and mine dewatering and yet still offer total portability. Over time, these early submersibles became the prototype for a full range of other hard-working Flygt submersible pumps, all built in the same tradition of dependability.

We know from years of experience what it takes to design and manufacture the finest heavy-duty submersible equipment. High tolerance machining is a standard manufacturing process for all parts that make up our products. It takes many precise steps, along with quality O-rings, to achieve the exceptional "fit" needed to keep a submersible motor dry. This includes critical sealing areas, such as where the power cable enters the pump. All parts are machined so the right amount of compression force is applied between the sealing grommet, cable and pump body, each and every time the cable entry bolts are tightened. The result is a dependable compression cable seal, which can easily be serviced in the field, and does not require epoxy sealers.

Precision machining with the outer stator core diameter and inner motor housing surface allows us to precisely shrink-fit the motor stator core into the housing. This feature provides a uniform metal-to-metal contact between the heat producing motor and its housing, resulting in exceptional cooling without the need for messy, expensive cooling oil.

The 2600 Series

Continuing its tradition of excellence, Xylem has recently introduced the 2600 Series, the newest line of Flygt dewatering pumps. This series features innovative hydraulics, fewer components, new materials and a practical, ergonomic design. The patented DuraSpin™ hydraulic system and newly designed impeller improves wear resistance and sustains performance over time. The wear-resistant closed impellers are made from high-chrome cast iron. A single screw enables fast and easy adjustment for maximum pump performance. During scheduled maintenance, a moderately worn hydraulic end can be quickly adjusted back to virtually full performance. The unique one-piece Plug-In™ seal incorporates two mechanical seals for double protection against liquid penetration.

The results of these features together in one pump:

- Unmatched wear resistance
- Consistent long-term performance
- Less downtime resulting in the lowest possible cost of ownership
- Three times more wear-resistant compared to traditional dewatering pumps

Xylem's Flygt brand continues to offer the most complete range of heavy-duty submersible pumps, backed by a nationwide network of service centers stocked with genuine Flygt pumps and parts. When dependability counts, specify the best... specify Flygt pumps.



The original submersible pumps had a distinctive bell-like shape.



The earliest electric submersible dewatering pump, developed by Flygt, was called the "Parrot Cage" after its unusual look. In 1948 the first practical version, model B-80, went into full production and became the prototype for a complete line of other hard working submersibles, all built in the same tradition of dependability.





The pumps in the 2600 series cover almost any dewatering application at worksites of all sizes, including construction sites, mines, quarries and other harsh environments. The slim design allows the pumps to be installed in pipes used for active dewatering. High wear-resistance and ease of service make 2600 series pumps the clear choice for contractors.



Compact Flygt pumps can be installed virtually anywhere dewatering is required. Multiple pumps equipped with high volume impellers allow large amounts of water to be pumped quickly. Flygt's exclusive motor design places the heat producing stator in direct contact with the motor housing, which provides optimum cooling even under non-submerged conditions.



Flygt submersible pumps are routinely used to remove abrasive, dirty water from quarries with steep embankments and severe heights. When equipped with high-head impellers, check valves and optional tandem coupling kits, submersible pumps offer an excellent solution. Quarry installations can also include mounting the pump from a floating raft to keep it off the rough or soft bottom and accommodate varying water depths.

Spot the innovations

At first glance you might not see what's fantastic about the Flygt 2600 series. That's OK. Maybe you need to be as much into pumps as we are to see the innovation in the Flygt 2600's unique design. A design that we're proud to say brings a high level of reliability and robustness to the dewatering world.

Just let it run

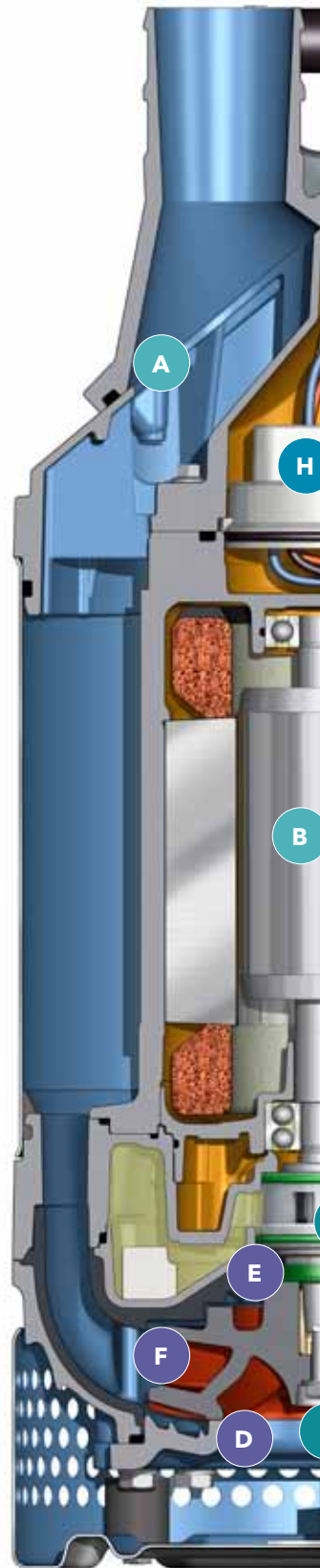
You don't want to spend your time babysitting pumps. You just want to switch it on and let it pump. That's why the pump have dry running capabilities.

- A Air valve**
The cooler the motor, the better the performance. The air valve opens when the pump is running dry.
- B Class H motor**
Highly efficient to reduce generated heat.
- C Aluminum stator housing & generous oil volume**
Improves heat transfer from the motor.

Bring it on!

The innovative design of the Flygt 2600 protects the hydraulic and seal system like never before. The Flygt 2600 series has robustness built-in to keep your operations moving in even the harshest environments.

- D Dura-Spin™**
The unique closed impeller and the suction cover with Dura-Spin™ grooves work together sweeping abrasive particles away from the impeller neck.
- E Spin-Out™**
This patented design protects the outer seal and extends service life by expelling abrasive particles from the seal.
- F Hard-Iron™**
Specially designed Hard-Iron™ impeller (60 HRC) and suction cover reduces wear and increases uptime.
- G Open Impeller alternative**
The open impeller with its back-swept vanes effectively prevents string solids from obstructing the pump and increases uptime.



Dura-Spin™

With an open impeller, wear will increase the clearance between the impeller vanes and the suction cover, resulting in a loss of performance. With Dura-Spin, the unique closed impeller (1) and suction cover with grooves (2) work together sweeping abrasive particles away from the impeller neck. (3) This makes the hydraulics at least three times more wear resistant than pumps with open impellers. With the single impeller-adjustment screw you can easily restore pump performance.

Flygt 2600 Series



Built for reliability

You need your pump to keep pumping, in all environments and in all situations. We know what you need and here are some features that experience tells us you're going to like.

- H Sealed off terminal board**
Protecting the pump from consequential damage.
- I Strainer bottom with shock absorbers**
Rubber shock absorbers provide impact protection. Strainer holes prevent obstruction due to large debris while the strainer bottom offers an easy-to-grip design with less risk of a drop.
- J Flygt SUBCAB®**
Superior mechanical strength for dependable long-term sealing in the cable entry.

Service with a smile

You want to spend as little time as possible servicing your pumps. Thanks to easy impeller adjustment and few parts, the Flygt 2600 series brings a high level of simplicity to service. Once you know one pump in the series you'll know them all.

- K Single impeller-adjustment screw**
Fast and easy impeller-adjustment restores clearances to near-original condition, thereby increasing pump performance.
- L Plug-in™ seal with aluminum housing**
The unique aluminum one-piece Plug-in™ seal provides a perfect fit and fast, simple replacement. It features Active Seal™ for zero leakage into the stator housing, and uses superior quality seal ring materials.
- M Inspection cover**
No need to loosen the top from the stator with fast access to the junction box.
- N External inspection and oil plugs**
Quick service check, less downtime, no unnecessary disassembly.



Air valve



External inspection



Spin-Out™



Aluminium Plug-In™ Seal

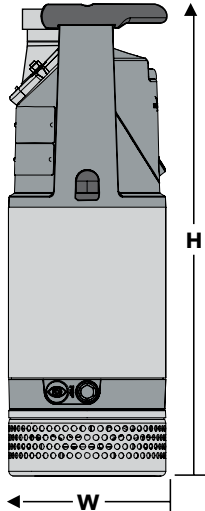


Single adjustment screw

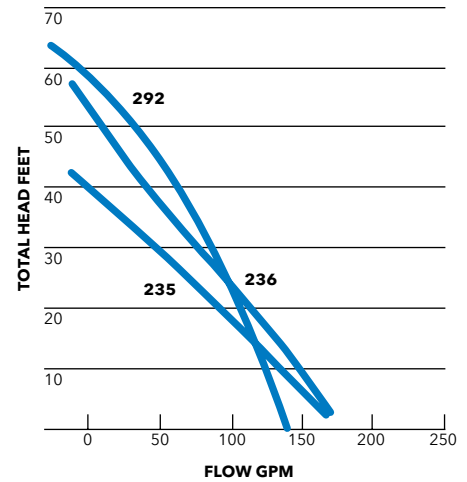
2600 Series Dewatering Pumps

These are popular Flygt dewatering pumps, known for job site dependability. Most models have strong, lightweight aluminum and stainless steel body parts and feature hardened impellers with nitrile rubber adjustable wear parts for long life. These tough pumps do not require total submersion, and will operate under snore conditions if necessary. Many are available in MSHA-certified, explosion-proof versions for use in mining or landfill dewatering.

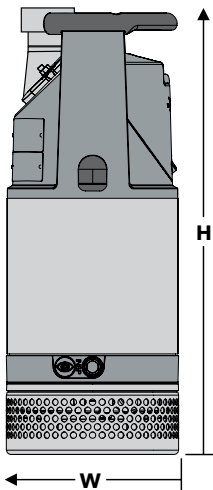
KS 2610



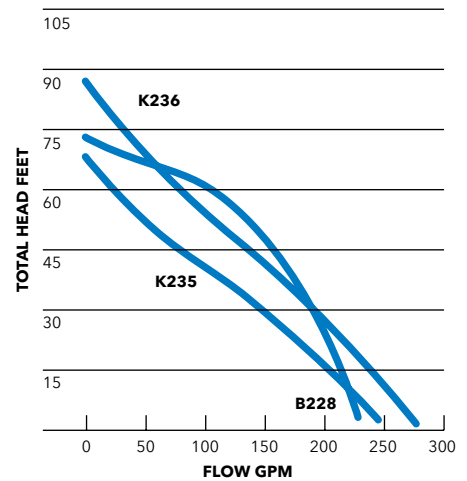
Model number: 2610.172 / 2610.160
 Motor rating: .172: 1ø: 1.3HP@3420 RPM
 .172: 3ø: 1.9HP@3365 RPM
 .160: 1ø: 1.8HP@3475RPM
 Voltage (1ø): 115V 230V
 Full load amps: 11A/15A 5.6A/7.4A
 Voltage (3ø): 230V 460V 575V
 Full load amps: 5.2A 2.6A 2A
 Versions: 2" Standard
 Imp. Code 235, 292 (1ø): 236 (3ø)
 Hose connection: Male NPT
 Pump dimensions: .172: 7⁷/₈" W (max.) x 22" H (max.)
 .160: 7⁷/₈" W (max.) x 24" H (max.)
 Max. weight (lbs.): .172: 47 / .160: 55
 Description: Aluminum and stainless steel construction; open non-clog impeller, rests on bottom strainer.
 Options: Warm liquid 70°C version available; 2610.082 MSHA approved version.



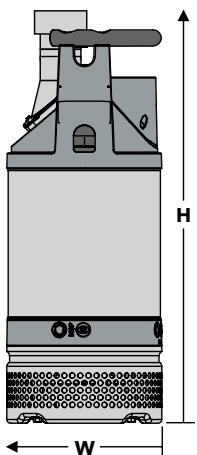
BS/KS 2620



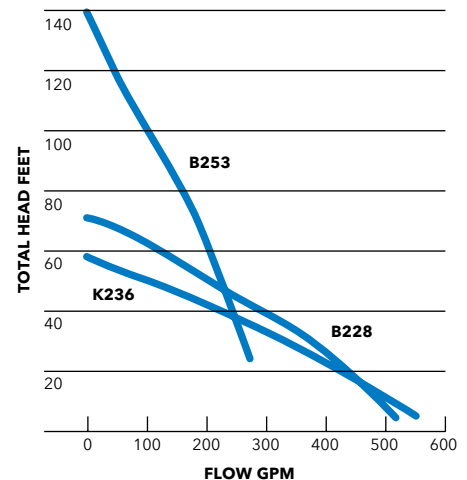
Model number: 2620.172
 Motor rating: 1ø: 2.4HP@3420 RPM
 3ø: 3.5HP@3410 RPM
 Voltage (1ø): 230V
 Full load amps: 9.9A
 Voltage (3ø): 230V 460V 575V
 Full load amps: 9.5A 4.7A 3.6A
 Versions: 3" Standard
 Imp. Code K235 (1ø), K236, B228 (3ø)
 Hose connection: Male NPT
 Pump dimensions: 9¹/₂" W (max.) x 25" H (max.)
 Max. weight (lbs.): 66
 Description: Aluminum and stainless steel construction; open non-clog (K) or extra wear resistant (B) closed impellers, rests on bottom strainer.
 Options: Warm liquid 70°C version available; 2620.082 MSHA approved version.



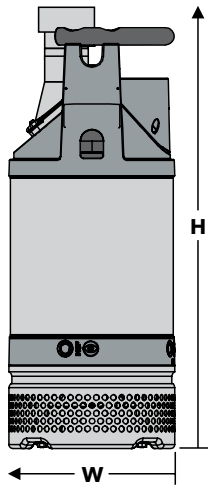
BS/KS 2630



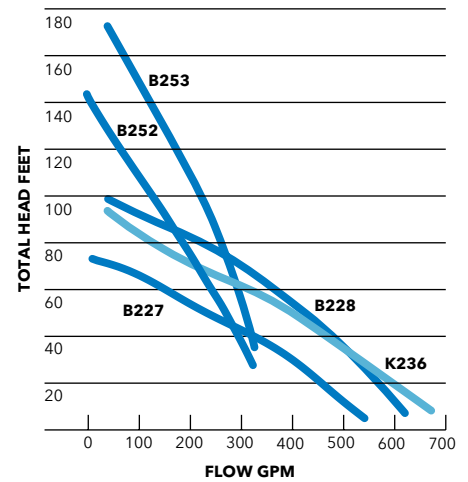
Model number: 2630.181
 Motor rating: 5.9HP@3490 RPM
 Voltage (3ø): 208V 230V 460V 575V
 Full load amps: 15A 14A 7.1A 5.8A
 Versions: 3" High head
 Imp. Code B253
 4" Standard
 Imp. Code K236, B228
 Hose connection: Male NPT
 Pump dimensions: 11¹/₄" W (max.) x 29" H (max.)
 Max. weight (lbs.): 106
 Description: Aluminum and stainless steel construction; open non-clog (K) or extra wear resistant (B) closed impellers, rests on bottom strainer.
 Options: Warm liquid 70°C version available; 2630.081 MSHA approved version.



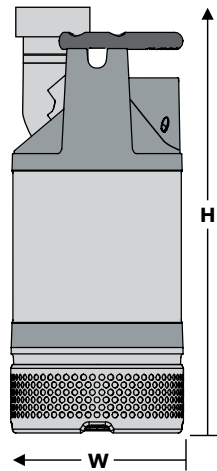
BS/KS 2640



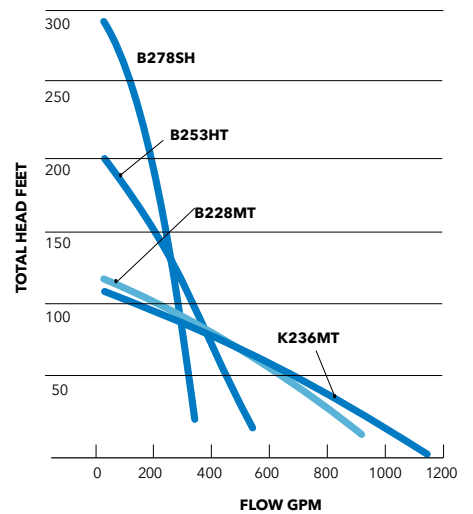
Model number: 2640.181
 Motor rating: 1 ϕ : 6 HP @ 3475 RPM
 3 ϕ : 8.9 HP @ 3495 RPM
 Voltage (1 ϕ): 230V
 Full load amps: 17A
 Voltage (3 ϕ): 208V 230V 460V 575V
 Full load amps: 24A 22A 11A 8.5A
 Versions: 3" High head
 Imp. Code B252 (1 ϕ), B253 (3 ϕ)
 4" Standard
 Imp. Code K235 (1 ϕ), K236, B228 (3 ϕ)
 Hose connection: Male NPT
 Pump dimensions: 11 1/4" W (max.) x 29" H (max.)
 Max. weight (lbs.): 110
 Description: Aluminum and stainless steel construction; open non-clog (K) or extra wear resistant (B) closed impellers, rests on bottom strainer.
 Options: Warm liquid 70°C version available; 2640.081 MSHA approved version.



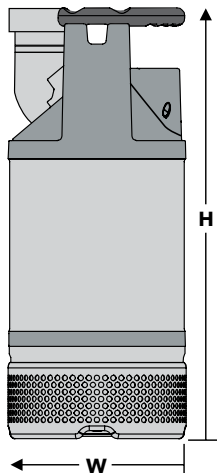
BS/KS 2660



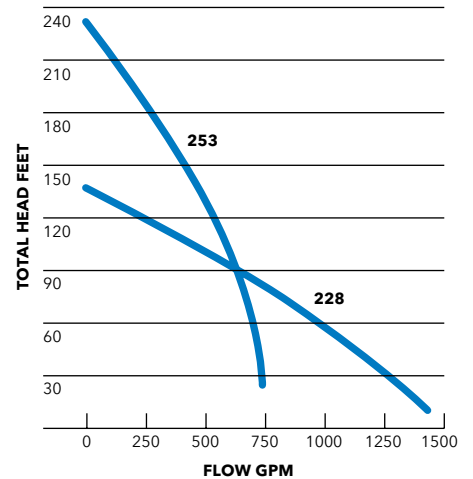
Model number: 2660.181
 Motor rating: 15 HP @ 3495 RPM
 Voltage (3 ϕ): 208V 230V 460V 575V
 Full load amps: 39A 35A 18A 14A
 Versions: 3" High head
 Imp. Code 253 (HT), 278 (SH)
 4" & 6" Standard
 Imp. Code B228 (MT), K236 (MT)
 Hose connection: Male NPT
 Pump dimensions: 13 3/4" W (max.) x 32" (35" SH) H (max.)
 Max. weight (lbs.): 172 (212 SH)
 Description: Aluminum and stainless steel construction; extra wear resistant closed impellers, rests on bottom strainer.
 Options: Warm liquid 70°C version available; 2660.081 MSHA approved version.



BS 2670



Model number: 2670.181
 Motor rating: 27 HP @ 3490 RPM
 Voltage (3 ϕ): 230V 460V 575V
 Full load amps: 61A 31A 25A
 Versions: 4" High head
 Imp. Code 253
 6" Standard
 Imp. Code 228
 Hose connection: Male NPT
 Pump dimensions: 16" W (max.) x 38" H (max.)
 Max. weight (lbs.): 289
 Description: Aluminum and stainless steel construction; extra wear resistant closed impellers; rests on bottom strainer.
 Options: Warm liquid 70°C version available; 2670.081 MSHA approved version.

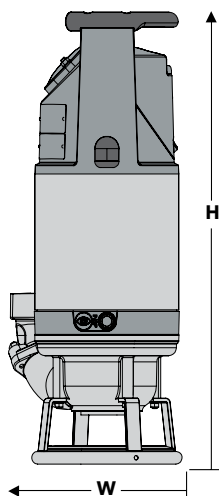


2600 Series Sludge Pumps

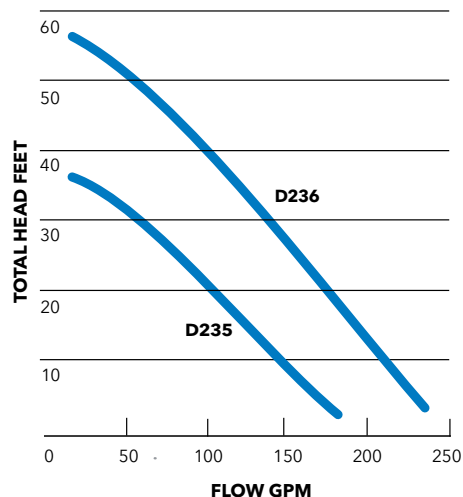
VORTEX IMPELLERS

Pumps equipped with a vortex impeller are suited for pumping water containing moderately abrasive or stringy solid materials which tend to clog conventional centrifugal impellers. The “open” impeller is located and turns at the top of the pump chamber, causing a powerful vortex that induces a pumping action in the water below it. Since most of the pumped water does not actually pass through the impeller, wear and clog-potential are minimized.

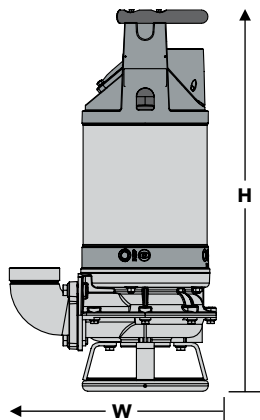
DS2620



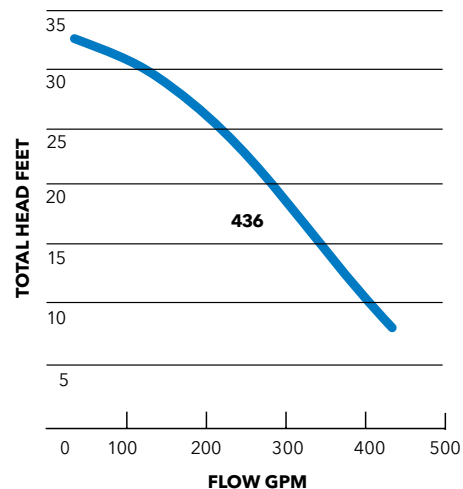
Model number: 2620.281
 Motor rating: 1 ϕ : 2.4HP@3420RPM
 3 ϕ : 3.5HP@3410 RPM
 Voltage (1 ϕ): 230V
 Full load amps: 9.9A
 Voltage (3 ϕ): 230V 460V 575V
 Full load amps: 9.5A 4.7A 3.5A
 Versions: 3" Standard
 Imp. Code 235 (1 ϕ), 236 (3 ϕ)
 Discharge conn.: Male NPT threaded
 Pump dimensions: 16" W (max.) x 28" H (max.)
 Max. weight (lbs.): 73
 Description: DS: Aluminum and stainless steel construction; vortex type impeller with open inlet area. Rests on stand.



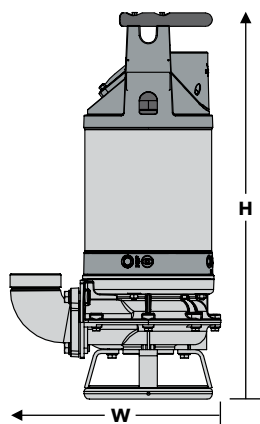
DS2630



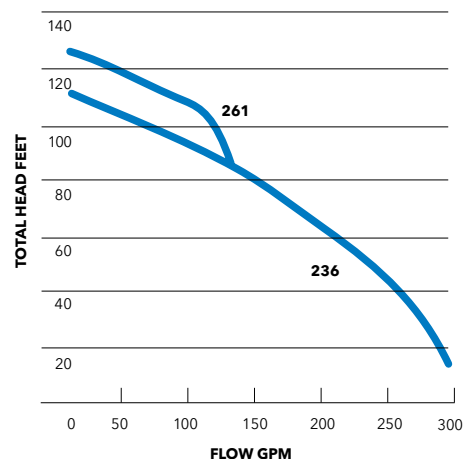
Model number: 2630.281
 Motor rating: 3 ϕ : 6.0HP@1675RPM
 Voltage (3 ϕ): 230V 460V 575V
 Full load amps: 18A 8.6A 6.9A
 Versions: 4" Standard
 Imp. 436MT
 Discharge conn.: Male NPT threaded
 Pump dimensions: 19" W (max.) x 34" H (max.)
 Max. weight (lbs.): 119
 Description: DS: Aluminum and stainless steel construction; vortex type impeller with open inlet area. Rests on stand.



DS2640



Model number: 2640.281
 Motor rating: 3 ϕ : 8.9 HP@3415 RPM
 Voltage (3 ϕ): 208V 230V 460V 575V
 Full load amps: 24A 22A 11A 8.4A
 Versions: 4" Standard
 Imp. Code 261 (HT), 236 (MT)
 Discharge conn.: Male NPT threaded
 Pump dimensions: 19" W (max.) x 34" H (max.)
 Max. weight (lbs.): 123
 Description: DS: Aluminum and stainless steel construction; vortex type impeller with open inlet area. Rests on stand.



A NEW LEGEND IS BORN

INTRODUCING THE
NEW FLYGT BIBO



Where innovation meets tradition

It still has the iconic look; a shape that means stability and robustness. We took our proven hydraulic design and merged it with features that once set the standard in dewatering pumping.

Just let it run

You don't want to spend your time babysitting pumps. You just want to switch it on and let it pump. That's why the pump has dry running capabilities.

- A Air valve**
The cooler the motor, the better the performance. The air valve opens when the pump is running dry.
- B Class H motor**
Highly efficient to reduce generated heat.
- C Aluminum stator housing & generous oil volume**
Improves heat transfer from the motor.

Tougher than the rest

The Flygt BIBO design protects the hydraulic and seal parts like never before. The Flygt BIBO series has robustness built-in to keep your operations moving in even the harshest environments.

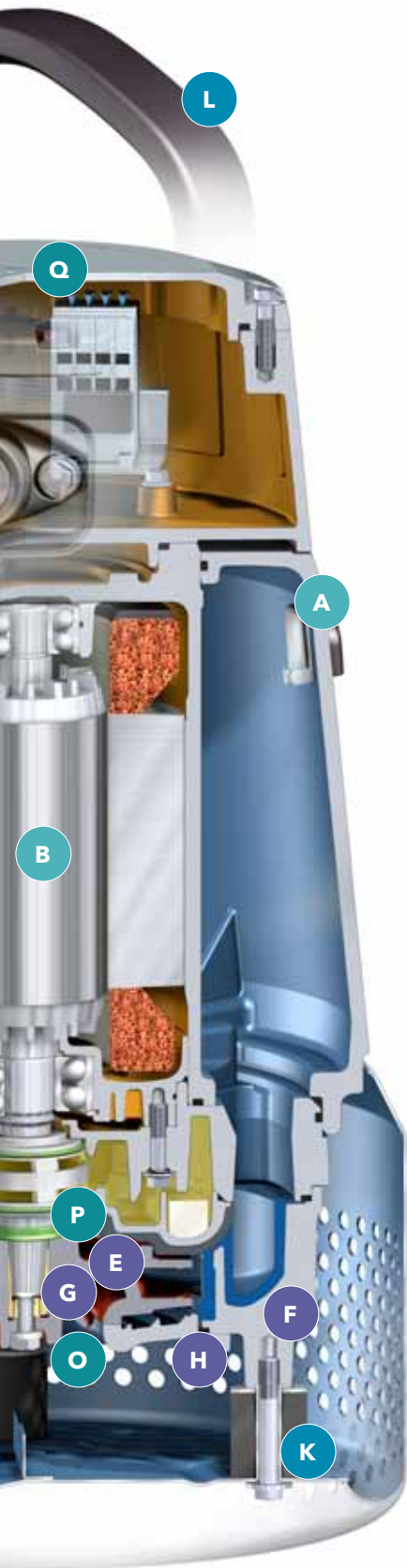
- D Dura-Spin™**
The unique closed impeller and the suction cover with Dura-Spin™ grooves work together sweeping abrasive particles away from the impeller neck.
- E Spin-Out™**
This patented design protects the outer seal and extends service life by expelling abrasive particles from the seal.
- F PolyLife™ coated wear parts**
Wear-resistant polylife coating on certain wear parts. (Nitrile rubber available as option)
- G Hard-Iron™**
Specially designed Hard-Iron™ impeller (60 HRC) and suction cover reduces wear and increases uptime.
- H Open Impeller alternative**
The open impeller with its back-swept vanes effectively prevents string solids from obstructing the pump and increases uptime.



Dura-Spin™

With an open impeller, wear will increase the clearance between the impeller vanes and the suction cover, resulting in a loss of performance. With Dura-Spin, the unique closed impeller (1) and suction cover with grooves (2) work together sweeping abrasive particles away from the impeller neck. (3) This makes the hydraulics at least three times more wear resistant than pumps with open impellers. With the single impeller-adjustment screw you can easily restore pump performance.

Flygt BIBO 2800 Series



Last pump standing

You need your pump to keep pumping; in all environments and in all situations. We know what you need and here are some features that experience tells us you're going to like.

- I Wide base and low discharge**
More stability with less risk of the pump tipping over.
- J Sealed off terminal board**
To protect the pump from consequential damage.
- K Strainer bottom with shock absorbers**
Rubber shock absorbers provide impact protection. Strainer holes prevent obstruction due to large debris while the strainer bottom offers an easy-to-grip design with less risk of a drop.
- L Adjustable handle**
Change height to suit lifting device.
- M Protected cable entry**
Less risk of cable damage when handling the pump.
- N Flygt SUBCAB®**
Superior mechanical strength for dependable long-term sealing in the cable entry.

Service with a smile

You want to spend as little time servicing your pumps as possible. Thanks to easy impeller adjustment and few parts, the Flygt BIBO series brings a high level of simplicity to service. Once you know one pump in the series you'll know them all.

- O Single impeller-adjustment screw**
Fast and easy impeller-adjustment restores clearances to near-original condition, thereby increasing pump performance.
- P Plug-in™ seal with aluminum housing**
The unique aluminum one-piece Plug-in™ seal provides a perfect fit and fast, simple replacement. It features Active Seal™ for zero leakage into the stator housing and uses superior quality seal ring materials.
- Q Inspection cover**
No need to loosen the top from the stator with fast access to the junction box.
- R External inspection and oil plugs**
Quick service check, less downtime, no unnecessary disassembly.



Air valve



External inspection



Spin-Out™



Aluminium Plug-In™ Seal

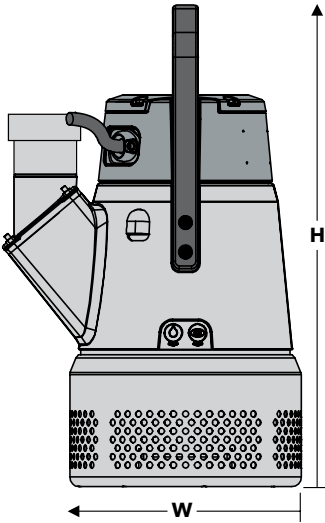


Single adjustment screw

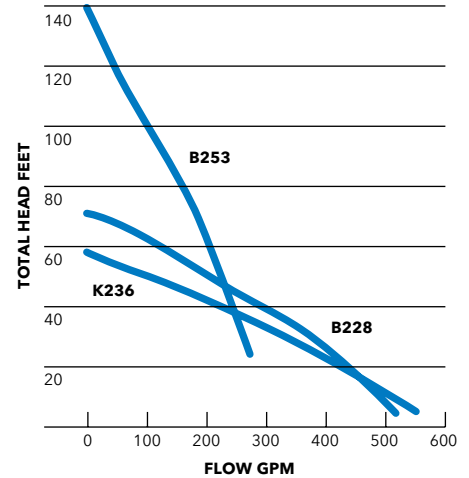
BIBO 2800 Series Dewatering Pumps

Flygt BIBO pumps cover medium, high, and super-high pressures to handle almost any application. They still have the iconic look; a shape that means stability and robustness. We took our proven hydraulic design and merged it with features that once set the standard in dewatering pumping.

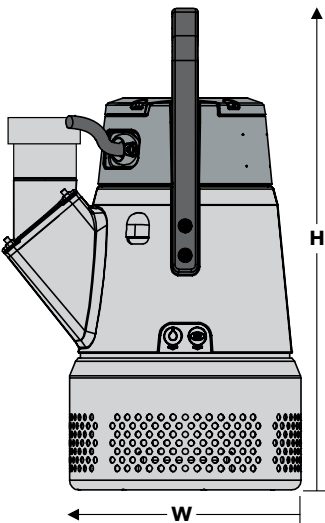
BS/KS 2830



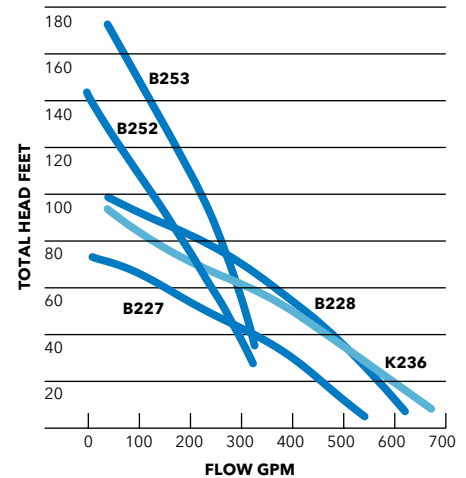
Model number: 2830.180
 Motor rating: 5.9 HP @ 3475 RPM
 Voltage (3Ø): 208V 230V 460V 575V
 Full load amps: 17A 15A 7.3A 5.8A
 Versions: 3" High head Imp. Code B253
 4" Standard Imp. Code K236, B228
 Hose connection: Male NPT
 Pump dimensions: 14 1/2" W (max.) x 30" H (max.)
 Max. weight (lbs.): 119
 Description: Aluminum and stainless steel construction; open non-clog (K) or extra wear resistant (B) closed impellers, rests on bottom strainer.
 Options: Warm liquid 70°C version available.



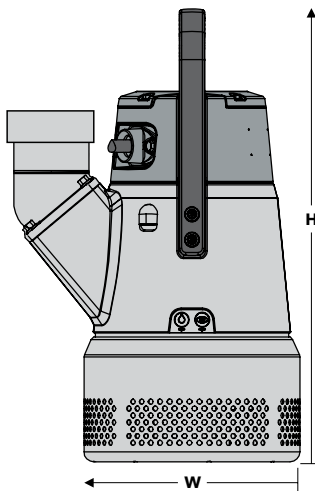
BS/KS 2840



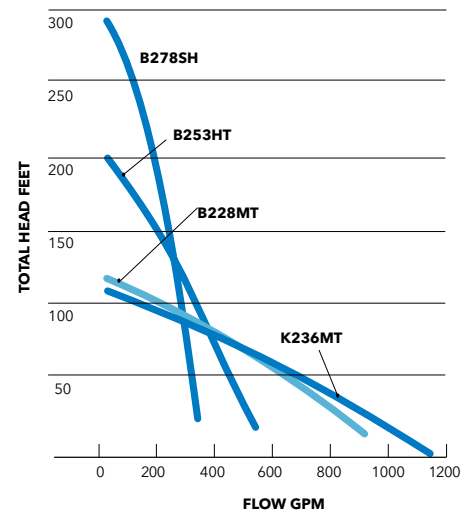
Model number: 2840.180
 Motor rating: 1Ø: 6 HP @ 3480 RPM
 3Ø: 8.9 HP @ 3495 RPM
 Voltage (1Ø): 230V
 Full load amps: 25A
 Voltage (3Ø): 208V 230V 460V 575V
 Full load amps: 24A 22A 11A 8.5A
 Versions: 3" High head Imp. Code B252 (1Ø), B253 (3Ø)
 4" Standard Imp. Code B227 (1Ø), K236, B228 (3Ø)
 Hose connection: Male NPT
 Pump dimensions: 11 1/2" W (max.) x 30" H (max.)
 Max. weight (lbs.): 123
 Description: Aluminum and stainless steel construction; open non-clog (K) or extra wear resistant (B) closed impellers, rests on bottom strainer.
 Options: Warm liquid 70°C version available.



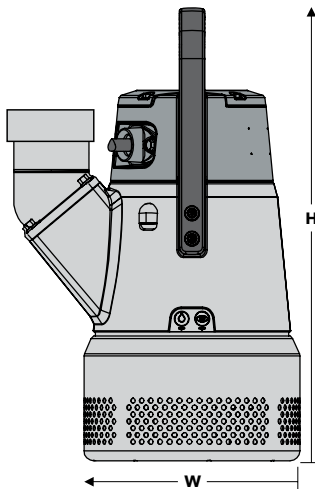
BS/KS 2860



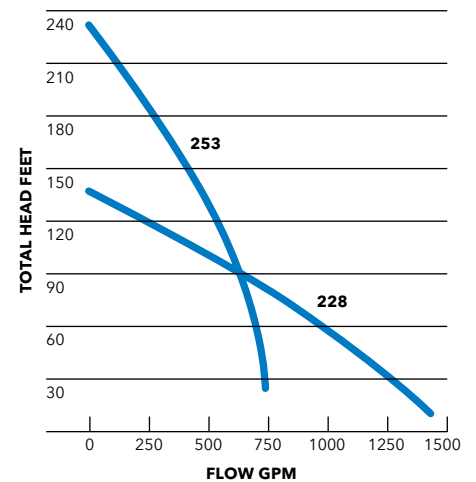
Model number: 2860.180
 Motor rating: 15 HP@3465 RPM
 Voltage (3 ϕ): 208V 230V 460V 575V
 Full load amps: 39A 35A 18A 14A
 Versions: 3" High head
 Imp. Code B253 (HT), B278 (SH)
 4" & 6" Standard
 Imp. Code B228 (MT), K236 (MT)
 Hose connection: Male NPT
 Pump dimensions: 16³/₄" W(max.) x 35" (38¹/₂" SH) H(max.)
 Max. weight (lbs.): 201 (234 SH)
 Description: Aluminum and stainless steel construction; extra wear resistant closed impellers, rests on bottom strainer.
 Options: Warm liquid 70°C version available.



BS 2870



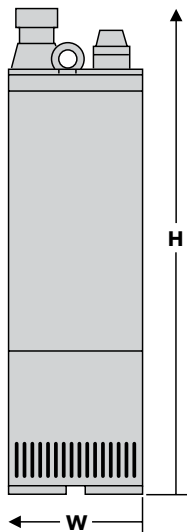
Model number: 2870.180
 Motor rating: 27 HP@3490 RPM
 Voltage (3 ϕ): 230V 460V 575V
 Full load amps: 61A 31A 25A
 Versions: 4" High head
 Imp. Code 253
 6" Standard
 Imp. Code 228
 Hose connection: Male NPT
 Pump dimensions: 20" W (max.) x 39" H (max.)
 Max. weight (lbs.): 339
 Description: Aluminum and stainless steel construction; extra wear resistant closed impellers; rests on bottom strainer.
 Options: Warm liquid 70°C version available.



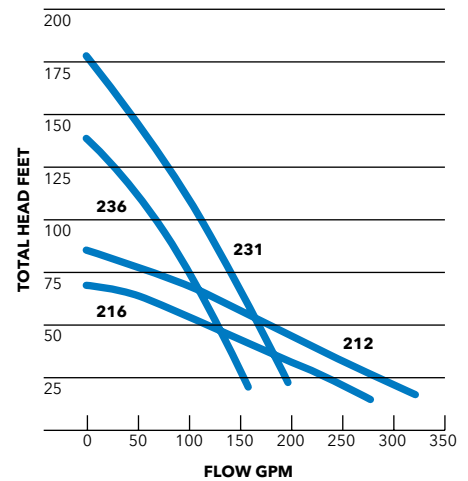
2000 Series Dewatering Pumps

Flygt 2000 pumps easily handle chemically aggressive, mechanically abrasive or highly viscous fluids laden with particles. Flygt 2000 products are available in lightweight aluminum or corrosion-resistant cast iron. Some models are available in MSHA-approved versions.

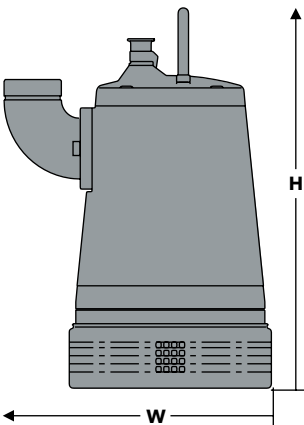
BS 2071



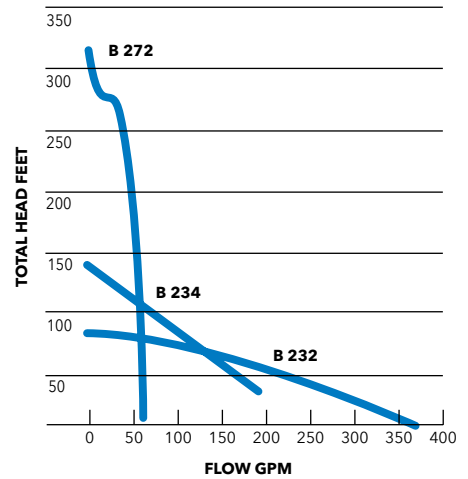
Model number: 2071.010
 Motor rating: 1 \emptyset : 4.1 HP@3425 RPM
 3 \emptyset : 6 HP@3335 RPM
 Voltage (1 \emptyset): 230V
 Full load amps: 17A
 Voltage (3 \emptyset): 230V 460V 575V
 Full load amps: 16A 8.1A 6.5A
 Versions: 2" Standard (2 stage)
 Imp. Code 236 (1 \emptyset), 231 (3 \emptyset)
 3" High volume
 Imp. Code 216 (1 \emptyset), 212 (3 \emptyset)
 Hose connection: Male NPSM threaded
 Pump dimensions: 7 1/4" W (max.) x 27" H (max.)
 Max. weight (lbs.): 68
 Description: Aluminum construction; open impeller, adjustable wear plate; rests on bottom strainer.
 Options: SS impellers



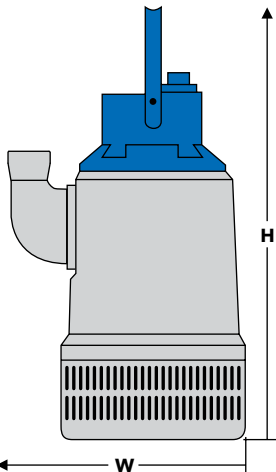
BS 2075.324



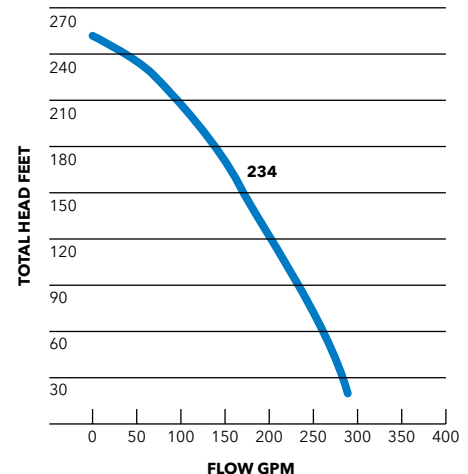
Model number: 2075.324
 Motor rating: 3 \emptyset : 5.4 HP@3425 RPM
 8.9 HP@3410RPM
 Voltage (3 \emptyset): 230V 460V 575V
 Full load amps: 14/23A 7.2/12A 5.8/9.4A
 Versions: 2" Super High head
 Imp. Code 272
 3" High head
 Imp. Code 234
 3" Standard
 Imp. Code 232
 Hose connection: Male NPSM threaded
 Pump dimensions: 12" W (max.) x 22" H (max.)
 Max. weight (lbs.): 88
 Description: Cast iron construction, open impeller, adjustable wear plate; rests on bottom strainer



BS 2125

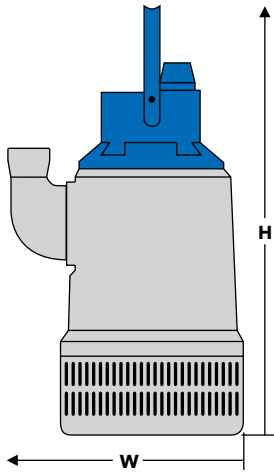


Model number: 2125.181
 Motor rating: 13 HP@3470 RPM
 Voltage (3 \emptyset): 230V 460V 575V
 Full load amps: 32A 16A 13A
 Versions: 3" High head (2 stage)
 Imp. Code 234
 Hose connection: Male NPSM threaded, or slip-on
 Pump dimensions: 18" W (max.) x 33" H (max.)
 Max. weight (lbs.): 176
 Description: Aluminum construction; open impeller, adjustable wear plate; rests on bottom strainer.



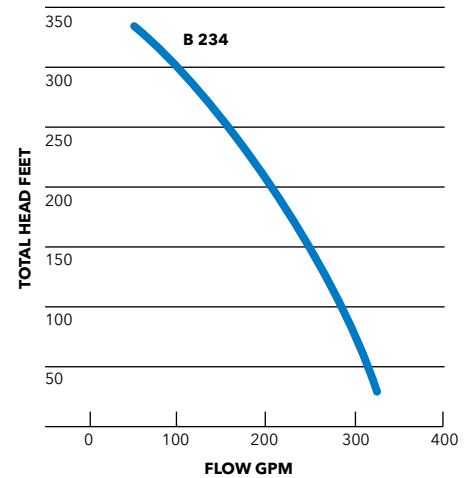
* Cast iron version 2125.320 available.

BS 2140

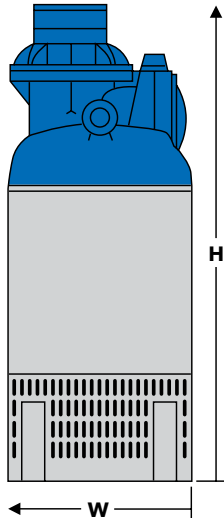


Model number: 2140.010
 Motor rating: 19 HP@3480 RPM
 Voltage (3 ϕ): 230V 460V 575V
 Full load amps: 46A 23A 18A
 Versions: 3" High head (2 stage)
 Imp. Code 234

Hose connection: Male NPSM threaded, or slip-on
 Pump dimensions: 18" W (max.) x 33" H (max.)
 Max. weight (lbs.): 186
 Description: Aluminum construction; open impeller, adjustable wear plate; rests on bottom strainer.



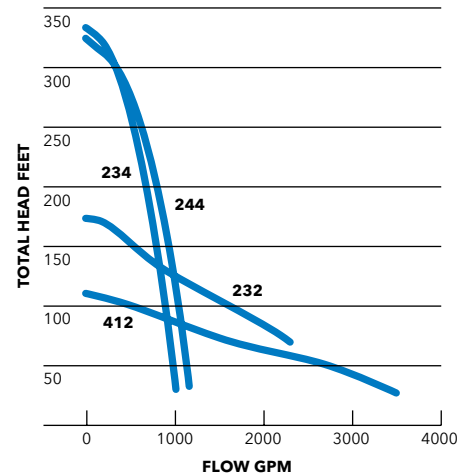
BS 2201



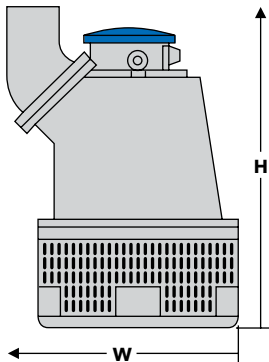
Model number: 2201.011, 2201.320
 Motor rating: 58 HP@3450 RPM (High head, Std.)
 50 HP@1760 RPM (High volume)*
 Voltage: 460V 575V
 Full load amps: 66/65A 52/48A
 Versions: 4" High head, Imp. Code 234, 244
 6" & 8" Standard, Imp. Code 232
 6" & 8" High vol., Imp. Code 412

Hose connection: 4" Male NPSM threaded
 6" & 8" Female NPT threaded
 Pump dimensions: 19" W (max.) x 48" H (max.)
 Max. weight (lbs.): 617 - Aluminum, 1000 - Cast iron
 Description: Aluminum (.011) or cast iron (.320) construction; open impeller(s), adjustable wear plate; rests on bottom strainer.

Options: SS impellers
 2201.590 MSHA approved version.

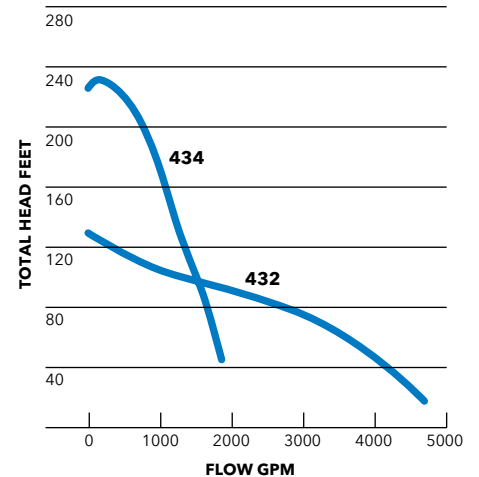


BS 2250

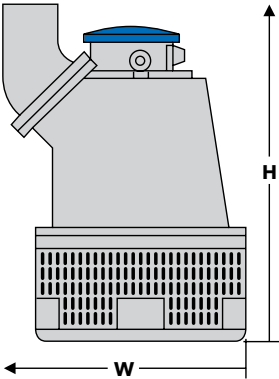


Model number: 2250.011
 Motor rating: 87 HP@1770 RPM
 Voltage (3 ϕ): 460V 575V
 Full load amps: 103A 83A
 Versions: 6" High head
 Imp. Code 434
 8" & 10" Standard
 Imp. Code 432

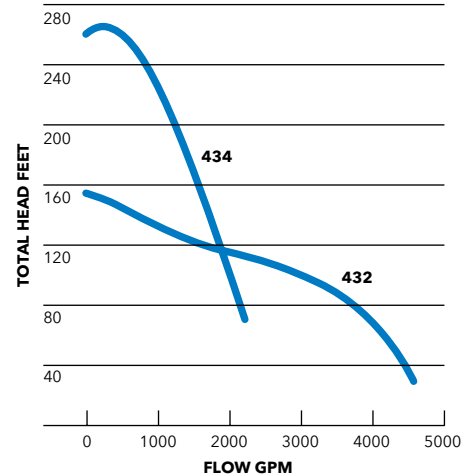
Hose connection: 6" & 8" Female NPT threaded
 10" Male NPT threaded
 Pump dimensions: 37" W (max.) x 49" H (max.)
 Max. weight (lbs.): 1190
 Description: Aluminum construction; open impeller, adjustable wear plate; rests on bottom strainer.



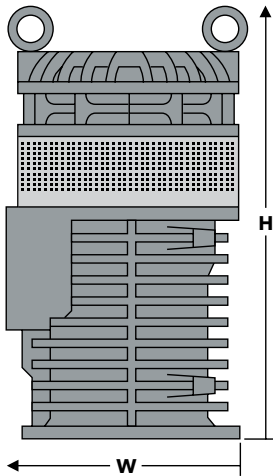
BS 2290



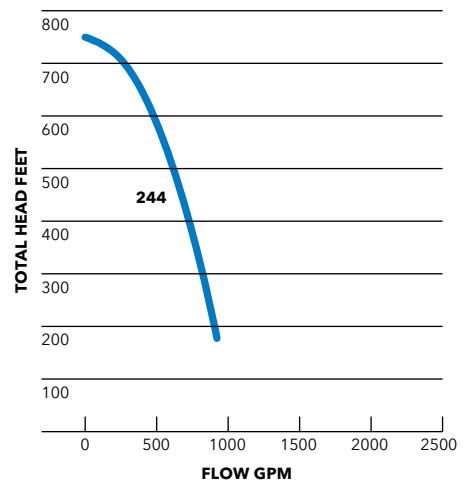
Model number: 2290.010
 Motor rating: 110HP@1775RPM
 Voltage (3 ϕ): 460V 575V
 Full load amps: 131A 105A
 Versions: 6" High head
 Imp. Code 434
 8" & 10" Standard
 Imp. Code 432
 Hose connection: 6" & 8" Female NPT threaded
 10" Male NPT threaded
 Pump dimensions: 37" W (max.) x 49" H (max.)
 Max. weight (lbs.): 1190
 Description: Aluminum construction; open
 impeller, adjustable wear plate;
 rests on bottom strainer.



BS 2400 HT

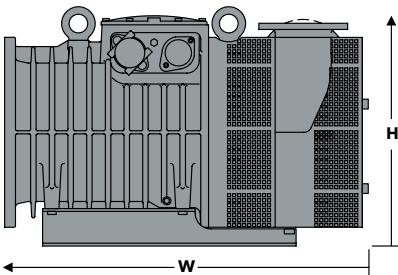


Model number: 2400.402
 Motor rating: 140HP@3560RPM
 Voltage (3 ϕ): 460V 575V
 Full load amps: 148A 118A
 Versions: 4" High head
 Imp. Code 244
 Discharge conn.: 250# Flange
 Pump dimensions: 27" W (max.) x 49" H (max.)
 Max. weight (lbs.): 1984
 Description: Cast iron construction; open (MT)
 or closed (HT) impeller, adjustable
 wear plates, strainer, rests on
 bottom.
 Options: SS impellers, SS wet end
 2400.490 MSHA approved version.

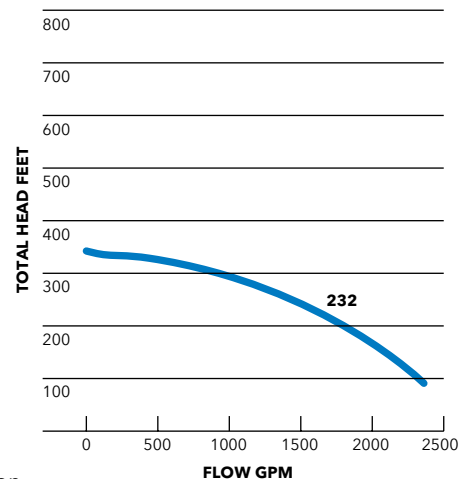


* including stand

BS 2400 MT



Model number: 2400.402
 Motor rating: 140HP@3560RPM
 Voltage (3 ϕ): 460V 575V
 Full load amps: 148A 118A
 Versions: 4" High head
 Imp. Code 244
 6" High volume
 Imp. Code 232
 Discharge conn.: 125# Flange
 Pump dimensions*: 30" W (max.) x 49" H (max.)
 Max. weight (lbs.): 2167
 Description: Cast iron construction; open (MT)
 or closed (HT) impeller, adjustable
 wear plates, strainer, rests on
 bottom.
 Options: SS impellers, SS wet end
 2400.490 MSHA approved version.

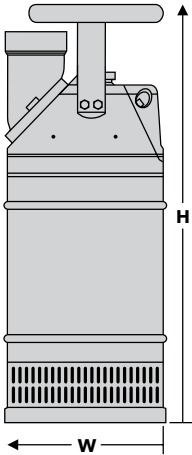


* including stand

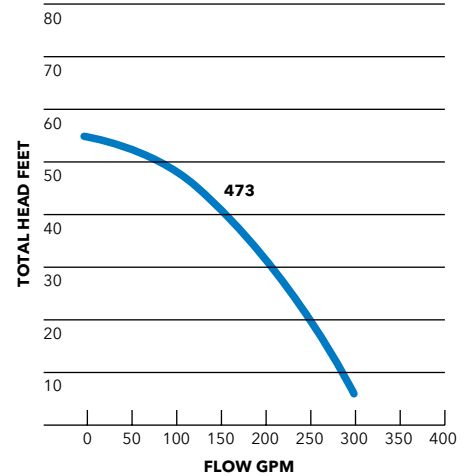
Stainless Steel 2700 Series Dewatering Pumps

The all stainless steel Flygt 2700 series handles corrosive and abrasive liquids with wide variances in pH levels. These pumps are built to tackle the toughest dewatering challenges. These drainage pumps can handle lightly contaminated liquids. Ideal for pH values between 2 and 10, these pumps are tough enough to handle both highly acidic and highly alkaline media.

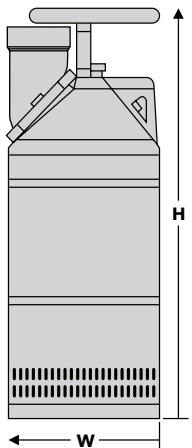
BS 2720 (SS)



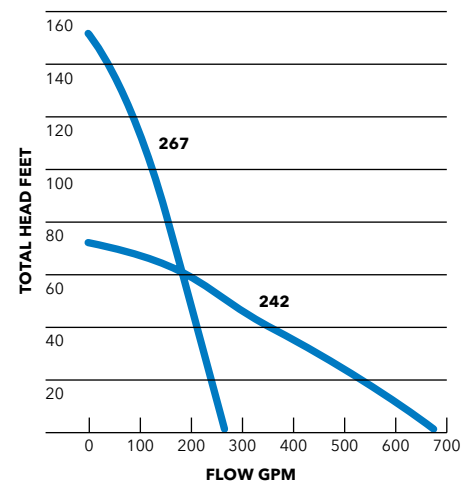
Model number: 2720.390
 Motor rating: 3.1HP@3315RPM
 Voltage (3Ø): 230V 460V 575V
 Full load amps: 8.5 4.2 3.4
 Versions: 3" Standard
 Imp. Code 242
 Discharge conn.: Male NPT
 Pump dimensions: 9³/₈" W x 23³/₄" H
 Max. weight (lbs.): 97
 Description: Stainless steel construction; open impeller; rests on bottom strainer.



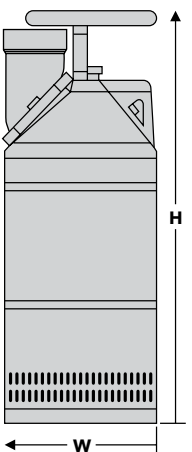
BS 2740 (SS)



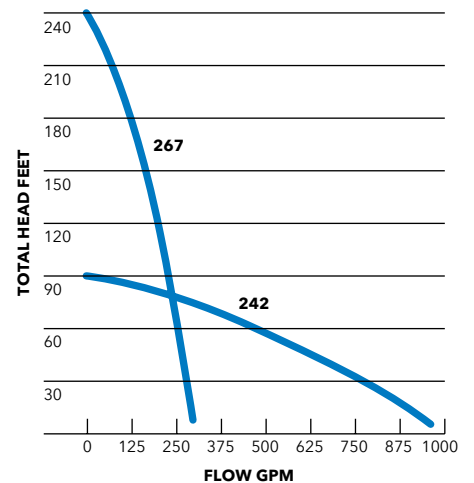
Model number: 2740.390
 Motor rating: 9 HP@3455 RPM
 Voltage (3Ø): 230V 460V 575V
 Full load amps: 21A 11A 8.6A
 Versions: 3" High head
 Imp. Code 267
 4" Standard
 Imp. Code 242
 Hose connection: Male NPT
 Pump dimensions: 11" W (max.) x 28³/₄" H (max.)
 Max. weight (lbs.): 165
 Description: Stainless steel construction; open impellers; rests on bottom strainer.



BS 2750 (SS)



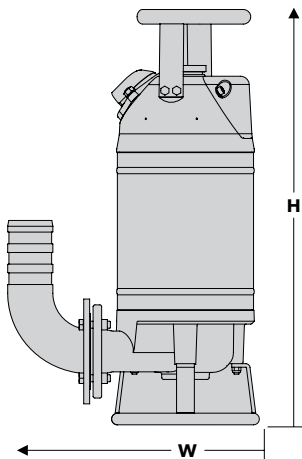
Model number: 2750.390
 Motor rating: 13 HP@3455 RPM
 Voltage (3Ø): 230V 460V 575V
 Full load amps: 31A 15A 12A
 Versions: 3" High head
 Imp. Code 267
 4" Standard
 Imp. Code 242
 Hose connection: Male NPT
 Pump dimensions: 11" W (max.) x 31" H (max.)
 Max. weight (lbs.): 198
 Description: Stainless steel construction; open impellers; rests on bottom strainer.



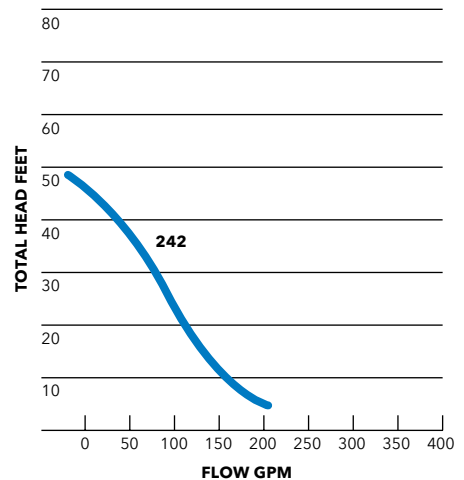
Stainless Steel 2700 Series Sludge Pumps

VORTEX IMPELLERS

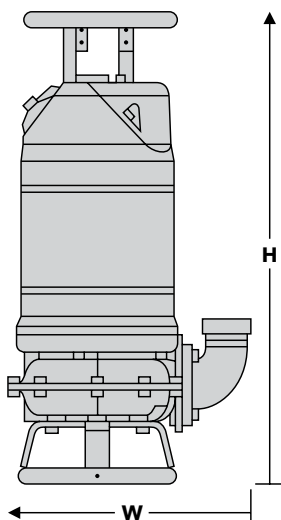
DS 2720 (SS)



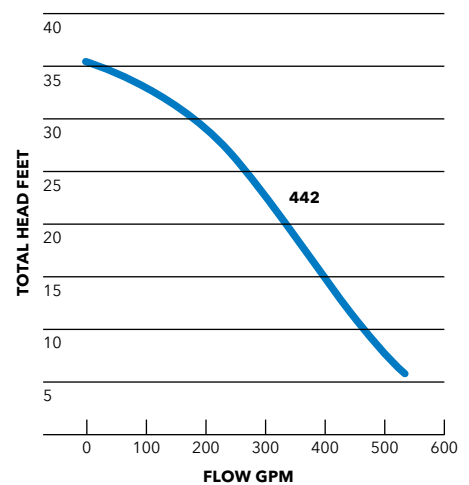
Model number: 2720.280
 Motor rating: 3.1HP@3315RPM
 Voltage (3∅): 230V 460V 575V
 Full load amps: 8.5 4.2 3.4
 Versions: 3" Standard
 Imp. Code 242
 Hose connection: Standard
 Pump dimensions: 16 1/2" W x 28 H
 Max. weight (lbs.): 111
 Description: Stainless steel construction; open impeller; rests on bottom strainer.



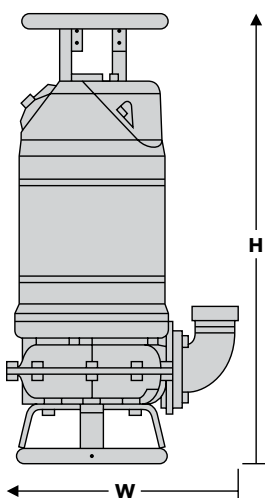
DS 2730 (SS)



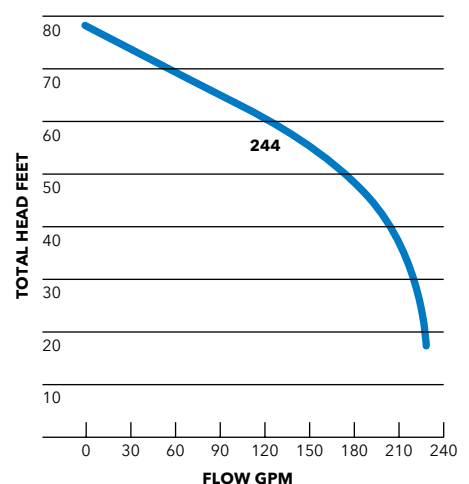
Model number: 2730.280
 Motor rating: 6.8HP@1675 RPM
 Voltage (3∅): 230V 460V 575V
 Full load amps: 18A 9A 7.3A
 Versions: 4" Standard
 Imp. Code 442
 Hose connection: Male NPT
 Pump dimensions: 16 1/2" W (max.) x 28 3/8" H (max.)
 Max. weight (lbs.): 209
 Description: Stainless steel construction; vortex impeller; rests on bottom stand.



DS 2740 (SS)



Model number: 2740.280
 Motor rating: 9 HP@3455 RPM
 Voltage (3∅): 230V 460V 575V
 Full load amps: 21A 11A 8.6A
 Versions: 3" High head
 Imp. Code 244
 Hose connection: Male NPT
 Pump dimensions: 16 1/2" W (max.) x 28 3/8" H (max.)
 Max. weight (lbs.): 209
 Description: Stainless steel construction; vortex impeller; rests on bottom stand.



Flygt 3000 Series

Better heat transfer

Our specially designed and manufactured motor provides enhanced cooling because heat losses are concentrated around the stator. Trickle impregnated in resin (Class H insulation), the stator windings are rated at 180°C (355°F) and enable up to 30 starts per hour.

Efficient cooling

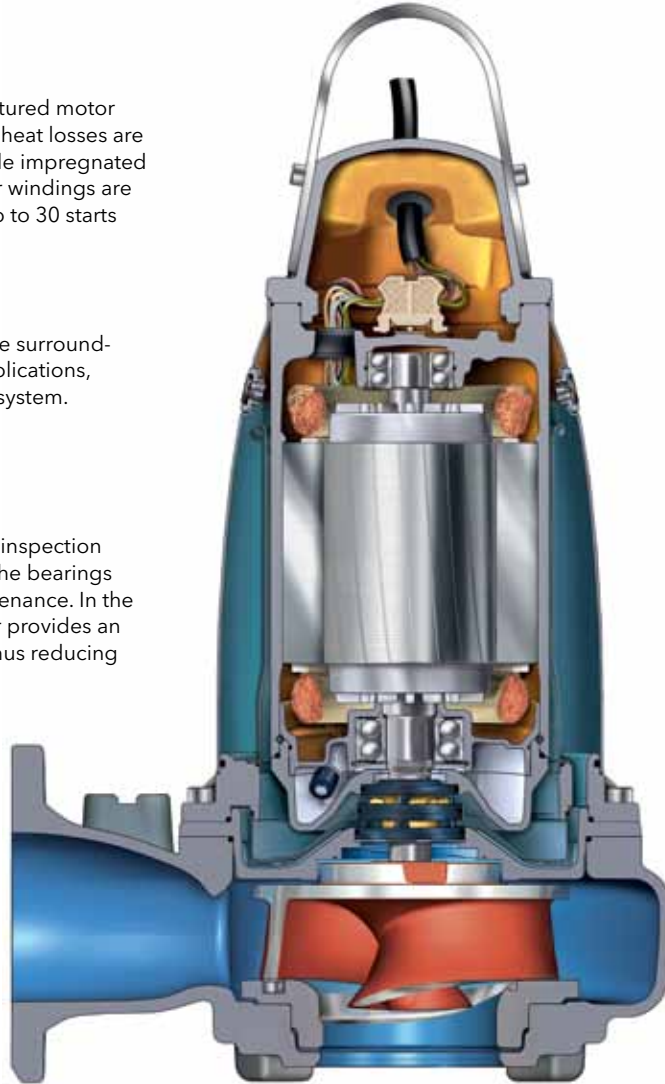
These pumps are cooled either by the surrounding liquid or, in more demanding applications, with an internal closed-loop cooling system.

Inspection chamber

To increase operational reliability, an inspection chamber between the seal unit and the bearings enables rapid spot checks and maintenance. In the case of a seal failure, a built-in sensor provides an early warning of any fluid build-up, thus reducing the risk of expensive repair work.

Compliance

Each pump is tested and approved in accordance with national and international standards, including IEC 34-1 and CSA. Pumps are available in explosion-proof versions for use in hazardous environments, and are approved by the Factory Mutual, European Standard and IEC.



Cable entry

Water-resistant cable entry provides both sealing and strain relief functions to ensure a safe installation.

Sensors

Thermal sensors embedded in the stator windings prevent overheating, and a leakage sensor in the inspection chamber minimizes the risk for bearing and stator failure.

Long-life bearings

Durable bearings provide a minimum service life of 50,000 hours.

Enduring seals

The Flygt Plug-in™ seal with the Active Seal™ system offers increased sealing reliability and zero leakage into the motor, thereby reducing the risk of bearing and stator failure.

Flygt Plug-in™ seal with Active Seal™ system



Inner seal with laser-cut spiral grooves.



The Flygt Plug-in™ seal is a seal unit that eliminates the risks associated with incorrect installation and careless handling. It comprises the Active Seal™ system in one easy-to-handle unit.

The Active Seal™ system is a patented zero-leakage double-seal system that actively prevents liquid from entering the motor cavity, thereby reducing the risk for bearing and stator failure. It comprises a unique inner seal that acts as a micro-pump and an outer seal that prevents leakage

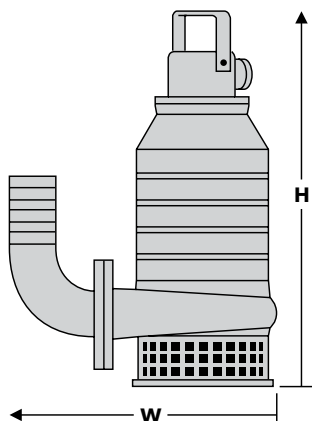
of pumped media into the buffer chamber.

Laser-cut grooves on the inner seal create a hydrodynamic pumping effect that prevents any leakage from entering the motor.

This translates into enhanced sealing reliability, reduced downtime and fewer unscheduled maintenance checks. In addition, regular service inspections can be prolonged in many applications.

Stainless Steel 3000 Series Sludge and Solids-Handling Sewage Pumps

CS/DS 3060 (SS)



Model number: 3060.390
 Motor rating: 1ø: 2.5 HP@3400 RPM
 3ø: 3.7 HP@3300 RPM

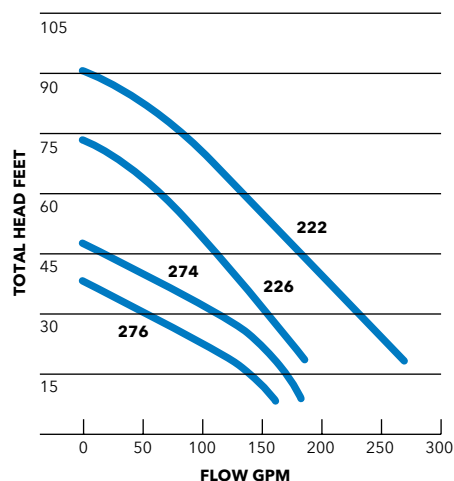
Voltage (1ø): 230V
 Full load amps: 11A

Voltage (3ø): 200V 230V 460V 575V
 Full load amps: 10.8A 9.4A 4.7A 3.8A

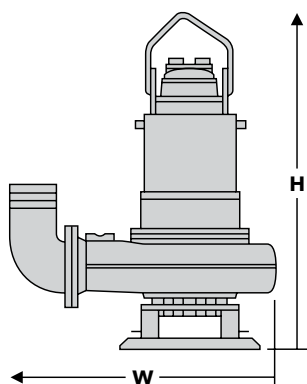
Versions: CS: 3" Standard
 Imp. Code 226 (1ø), 222 (3ø)
 DS: 3" Vortex
 Imp. Code 276 (1ø), 274 (3ø)

Hose connection: Slip-on
 Pump dimensions: 16¹/₂" W (max.) x 23¹/₂" H (max.)
 Max. weight (lbs.): 95

Description: CS/DS: Stainless steel construction; rests on bottom strainer. CS: Open impeller, with diffuser. DS: Vortex type impeller.



CS 3201 (SS)



Model number: 3201.280
 Motor rating: 30 HP@860 RPM
 35 HP@1170 RPM
 47 HP@1760 RPM

Voltage (3ø): 230V
 Full load amps: 82/94/116A

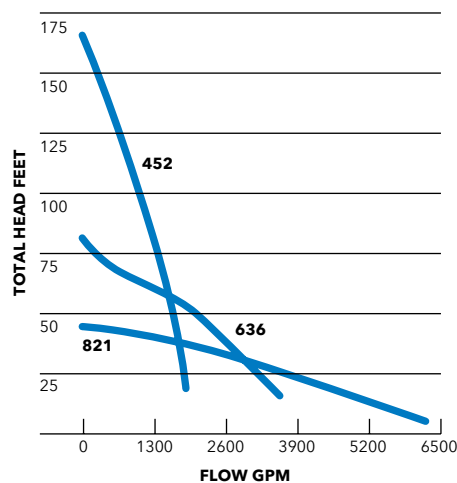
Voltage (3ø): 460V 575V
 Full load amps: 41/47/58A 33/38/46A

Versions: 6" High hd., Imp. Code 452 (47 HP)
 8" Std., Imp. Code 636 (35 HP)
 10" High volume
 Imp. Code 821 (30 HP)

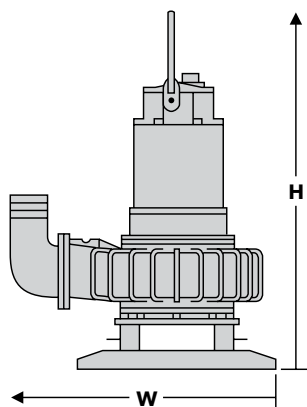
Hose connection: Slip-on
 Pump dimensions: 56" W (max.) x 63" H (max.)
 Max. weight (lbs.): 1600

Description: Stainless steel construction; closed, solids handling impeller, wear rings; rests on bottom stand.

Options: Explosion proof (FM approved) variant 3201.290



CS 3300 (SS)



Model number: 3300.280
 Motor rating: 60 HP@1170 RPM & 875 RPM
 45 HP@875 RPM
 77, 88 HP@1170 RPM

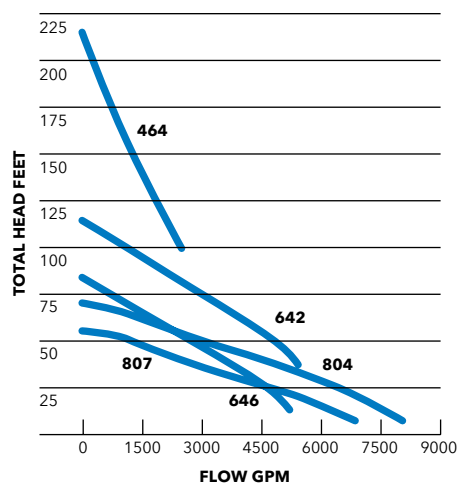
Voltage (3ø, 60 HP): 460V 575V
 Full load amps: 73/80A 58/65A

Voltage (3ø, 45/77/88 HP): 460V 575V
 Full load amps: 60/91/108A 48/73/86A

Versions: 6" High hd., Imp. Code 464 (88 HP)
 8" Standard
 Imp. Code 646 (60 HP), 642 (77 HP)
 10" High volume
 Imp. Code 807 (45 HP), 804 (60 HP)

Hose connection: Slip-on
 Pump dimensions: 56³/₄" W (max.) x 75³/₄" H (max.)
 Max. weight (lbs.): 2590

Description: Stainless steel construction; closed, solids handling impeller, wear rings; rests on bottom stand.

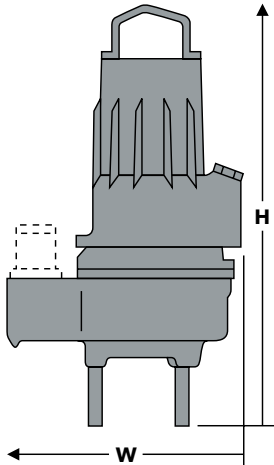


3000 Series Solids-Handling Sewage Pumps

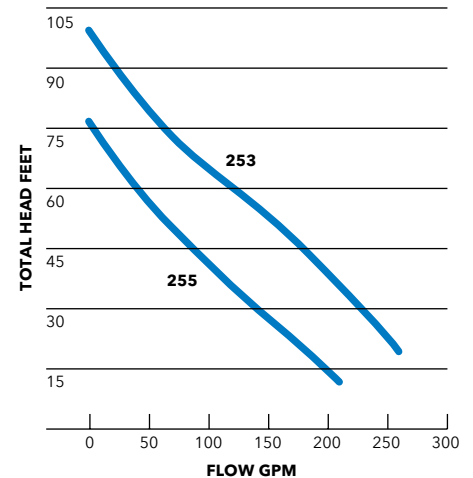
CLOSED IMPELLERS

CS models feature closed wastewater impellers designed for pumping typical wastewater solids as found in many sewage applications. Usually, a stationary brass or nitrile rubber wear ring is set into the volute bottom, surrounding the lower part of the impeller, to prevent wear and maintain hydraulic efficiency. Larger models may also utilize a stainless steel rotating ring, tightly fitted around the lower part of the impeller, to further reduce wear.

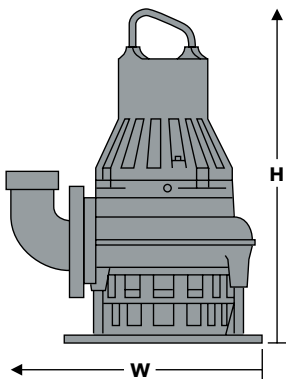
CF/CS 3068



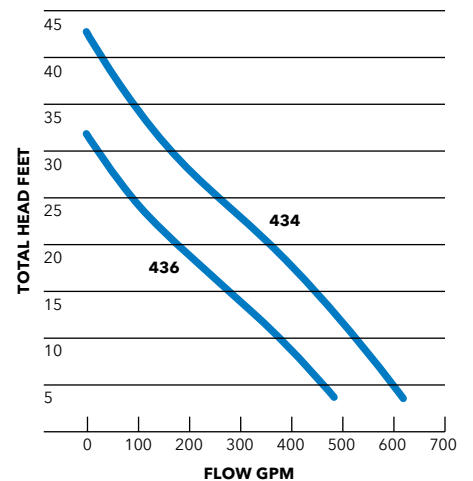
Model number: 3068.180
 Motor rating: 1ø: 2.3 HP@3300 RPM
 3ø: 2.7, 3.8 HP@3300 RPM
 Voltage (1ø): 230V
 Full load amps: 10A
 Voltage (3ø): 200V 230V
 Full load amps: 8.5/12A 7.5/10.4A
 460V 575V
 3.7/5.2A 2.9/4A
 Versions: 2" High head
 Imp. Code 255 (1ø), 253 (3ø)
 Hose connection: Female NPT, Slip-on (optional)
 Pump dimensions: 14 1/8" W (max.) x 22 3/8" H (max.)
 Max. weight (lbs.): 84
 Description: Cast iron construction; closed solids handling impeller with thrulet, rests on legs or stand.
 Options: Explosion proof (FM approved) variant 3068.090



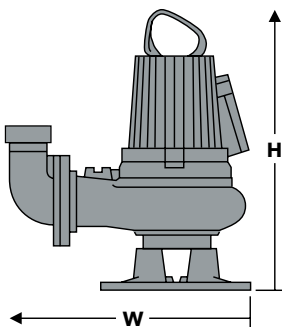
CS 3085



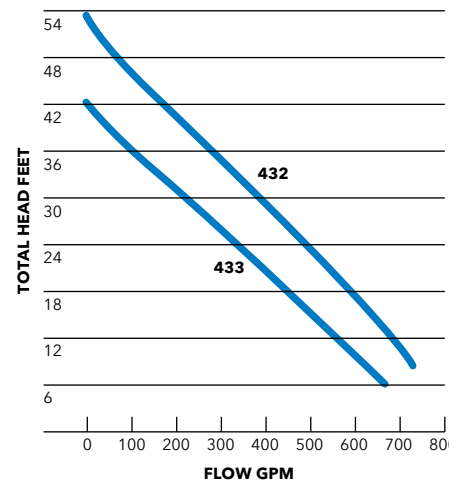
Model number: 3085.183
 Motor rating: 1ø: 2.4 HP@1750 RPM
 3ø: 2.2, 3 HP@1750 RPM
 Voltage (1ø): 230V
 Full load amps: 10A
 Voltage (3ø): 200V 230V
 Full load amps: 7.8/10A 6.7/9A
 460V 575V
 3.4/4.5A 2.7/3.6A
 Versions: 3" Std., Imp. Code 436 (1ø, 3ø)
 434 (3ø, 3HP only)
 Hose connection: NPSM threaded, or slip-on
 Pump dimensions: 19" W (max.) x 23 3/4" H (max.)
 Max. weight (lbs.): 175
 Description: Cast iron construction; closed solids handling impeller with thrulet, wear ring; rests on stand.
 Options: Explosion proof (FM approved) variant 3085.092
 Warm liquid versions available



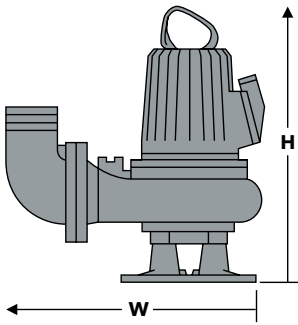
CS 3102



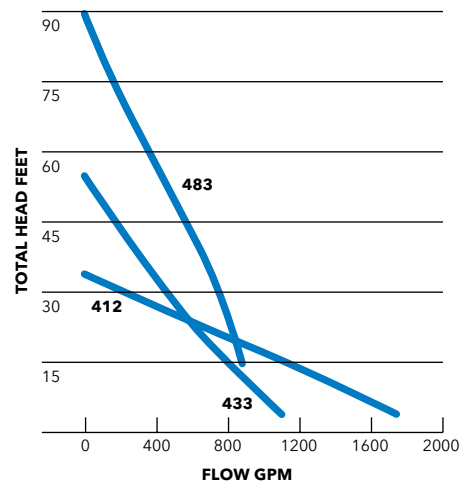
Model number: 3102.181
 Motor rating: 1ø: 3.9 HP@1730 RPM
 3ø: 5 HP@1730 RPM
 Voltage (1ø): 230V
 Full load amps: 16A
 Voltage (3ø): 200V 230V 460V 575V
 Full load amps: 15A 13A 6.6A 5.3A
 Versions: 4" Standard
 Imp. Code 433 (1ø, 3ø), 432 (3ø)
 Hose connection: NPSM threaded, or slip-on
 Pump dimensions: 24" W (max.) x 27 3/4" H (max.)
 Max. weight (lbs.): 245
 Description: Cast iron construction; closed solids handling impeller with thrulet, wear ring; rests on stand.
 Options: Explosion proof (FM approved) variant 3102.090
 Warm liquid version available



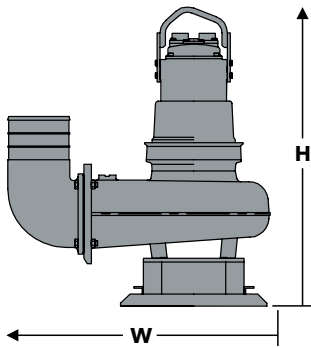
CS 3127



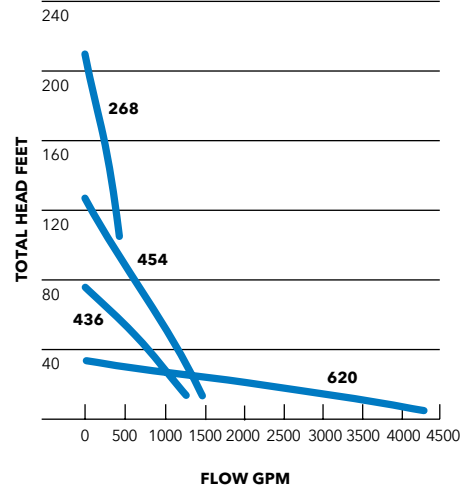
Model number: 3127.182
Motor rating: 1 ϕ : 7.5HP@1730 RPM
 3 ϕ : 10HP@1730 RPM
Voltage (1 ϕ): 230V
Full load amps: 30A
Voltage (3 ϕ): 200V 230V 460V 575V
Full load amps: 29A 26A 13A 10A
Versions: 4" High head
 Imp. Code 462 (1 ϕ), 483 (3 ϕ)
 6" Std., Imp. Code 433 (1 ϕ), 432 (3 ϕ)
 8" Std., Imp. Code 412 (1 ϕ), 411 (3 ϕ)
Hose connection: 4" & 6" NPSM threaded, or
 4", 6" & 8" slip-on
Pump dimensions: 31 1/2" W (max.) x 30 3/4" H (max.)
Max. weight (lbs.): 400
Description: Cast iron construction; closed
 solids handling impeller with
 thrulet, wear ring; rests on stand.
Options: Explosion proof (FM approved)
 variant 3127.091
 Warm liquid version available



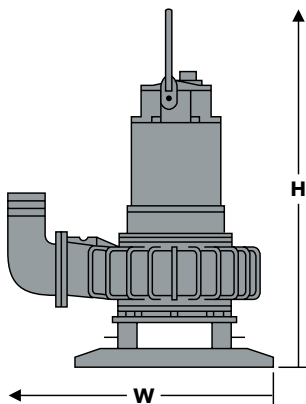
CS3152



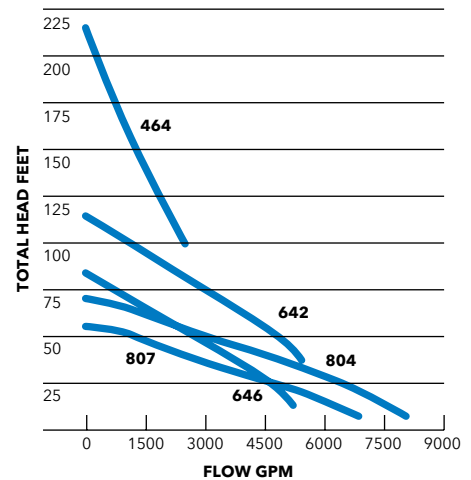
Model number: 3152.181
Motor rating: 14HP @ 1160 RPM
 15HP @ 1745 RPM
 20HP @ 1750 RPM
 23HP @ 3500 RPM
Voltage (3 ϕ , 14 / 15HP): 200V 230V 460V 575V
Full load amps: 41/45 37/39 18/20 14/16
Voltage (3 ϕ , 20 / 23HP): 200V 230V 460V 575V
Full load amps: 58/61 51/53 26/26 20/21
Versions: 4" High head
 Imp. Code 454 (20HP), 268 (SH, 23HP)
 6" Standard, Imp. Code 436 (15HP)
 10" High Volume, Imp. Code 620 (14HP)
Hose connection: 4" & 6" NPSM threaded, or
 4", 6" & 8" slip-on
Pump dimensions: 42" W (max.) x 48-1/4" H (max.)
Max. weight (lbs.): 940
Description: Cast iron construction; closed
 solids handling impeller with
 thrulet, wear ring; rests on stand.
Options: Explosion proof (FM approved)
 variant 3127.091
 Warm liquid version available



CS 3300



Model number: 3300.181
Motor rating: 60HP@1170 RPM & 875 RPM
 45 HP@875 RPM
 75 HP, 88 HP@1170 RPM
Voltage (3 ϕ , 60HP): 460V 575V
Full load amps: 73/80A 58/65A
Voltage (3 ϕ , 45/75/88HP): 460V 575V
Full load amps: 60/91/108A 48/73/86A
Versions: 6" High head, Imp. Code 464 (88 HP)
 8" Standard
 Imp. Code 646 (60HP), 642 (75 HP)
 10" High volume
 Imp. Code 807 (45HP), 804 (60HP)
Hose connection: Slip-on
Pump dimensions: 66" W (max.) x 75 3/4" H (max.)
Max. weight (lbs.): 1915
Description: Cast iron construction; closed
 solids handling impeller with
 thrulet, wear ring; rests on stand.
Options: Explosion proof (FM approved)
 variant 3300.091

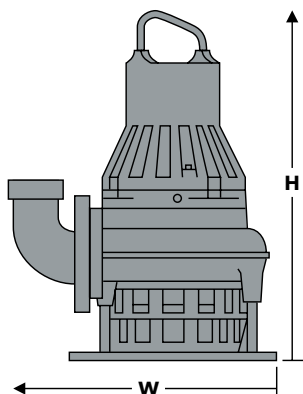


3000 Series N-Pump Sewage Pumps

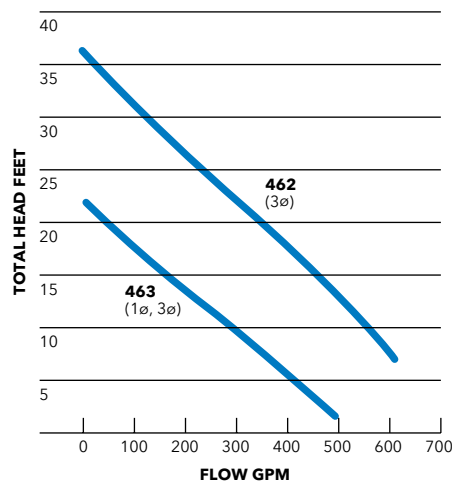
N-IMPELLERS

These pumps are equipped with Flygt's innovative "self-cleaning" N-impeller. The open impeller works with a special relief groove at the bottom of the volute to continually keep it free from solids build-up. This proven design not only reduces clogging but also ensures continued long-term efficiencies, which significantly reduce electrical operating costs. An excellent choice where troublesome solids are present in the water to be pumped.

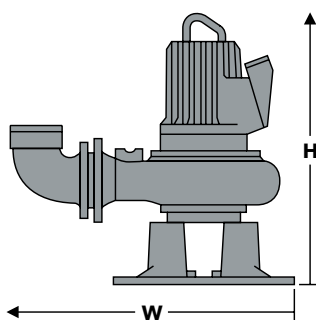
NS 3085



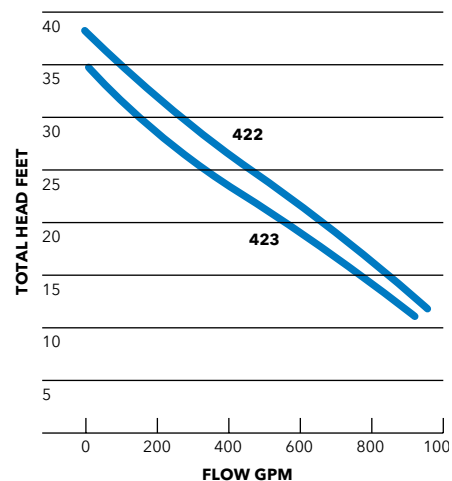
Model number: 3085.183
 Motor rating: 1ø: 2.4 HP@1750 RPM
 3ø: 2.2, 3 HP@1750 RPM
 Voltage (1ø): 230V
 Full load amps: 10A
 Voltage (3ø): 200V 230V
 Full load amps: 7.8/10A 6.7/9A
 460V 575V
 3.4/4.5A 2.7/3.6A
 Versions: 3" Standard
 Imp. Code 463 (1ø, 3ø), 462 (3ø)
 Hose connection: NPSM threaded, or slip-on
 Pump dimensions: 17³/₄" W (max.) x 24¹/₄" H (max.)
 Max. weight (lbs.): 175
 Description: Cast iron construction; semi-open, backswept multi-vane, self-cleaning impeller; rests on stand.
 Options: Explosion proof (FM approved) variant 3085.092
 Warm liquid version available



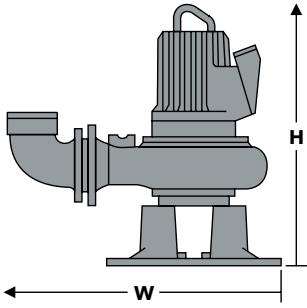
NS 3102



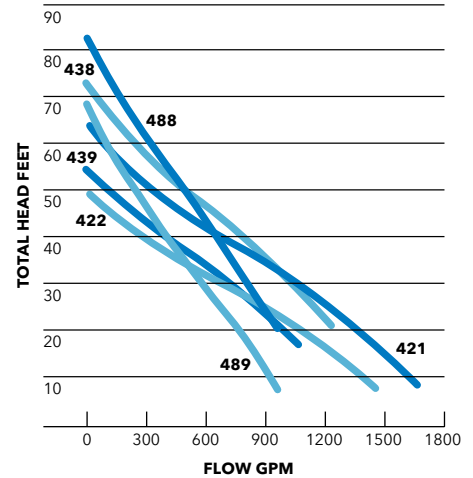
Model number: 3102.181
 Motor rating: 5 HP@1730 RPM
 Voltage (3ø): 200V 230V 460V 575V
 Full load amps: 15A 13A 6.6A 5.3A
 Versions: 4" & 6" High volume
 Imp. Code 422, 423
 Hose connection: NPSM threaded, or slip-on
 Pump dimensions: 27" W (max.) x 28¹/₂" H (max.)
 Max. weight (lbs.): 118
 Description: Cast iron construction; semi-open, backswept multi-vane, self-cleaning impeller; rests on stand.
 Options: Explosion proof (FM approved) variant 3102.090
 Warm liquid version available



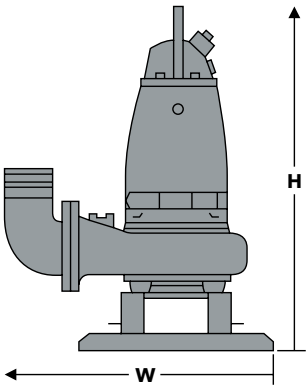
NS 3127



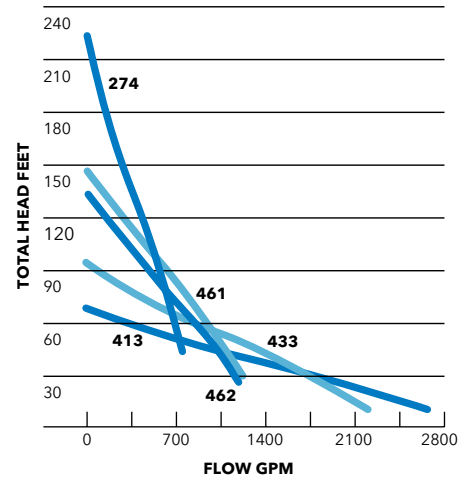
Model number: 3127.185
 Motor rating: 1 ϕ : 7.5HP@1730 RPM
 3 ϕ : 10HP@1740 RPM
 Voltage (1 ϕ): 230V
 Full load amps: 30A
 Voltage (3 ϕ): 200V 230V 460V 575V
 Full load amps: 29A 26A 13A 10A
 Versions: 4" & 8" Standard
 Imp. Code 420 (1 ϕ), 438 (3 ϕ)
 8" High volume
 Imp. Code 422 (1 ϕ), 421 (3 ϕ)
 4" High head
 Imp. Code 489 (1 ϕ), 488 (3 ϕ)
 Hose connection: 4" & 6" NPSM threaded, or slip-on
 4", 6" & 8" Slip-on
 Pump dimensions: 31 1/2" W (max.) x 30 3/4" H (max.)
 Max. weight (lbs.): 400
 Description: Cast iron construction; semi-open, backswept multi-vane, self-cleaning impeller; rests on stand.
 Options: Explosion proof (FM approved) variant 3127.095
 Warm liquid version available



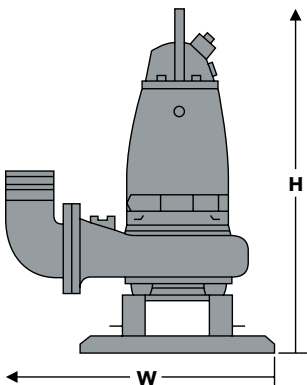
NS 3153



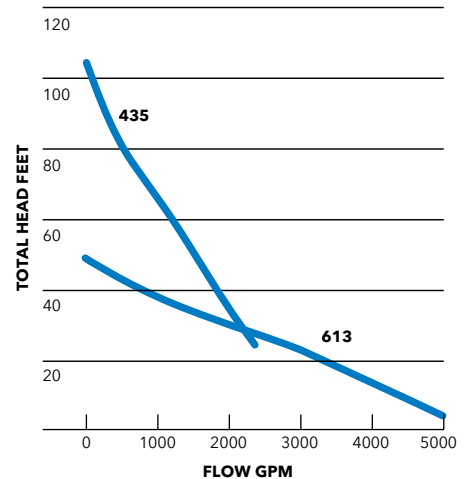
Model number: 3153.185
 Motor rating: 20HP@1755 RPM
 23HP@3510 RPM
 Voltage (3 ϕ): 200V 230V 460V 575V
 Full load amps: 59A 52A 26A 21A
 Versions: 4" Super high head, Imp. Code 274
 4" High head, Imp. Code 461
 6" Standard, Imp. Code 433
 8" High volume, Imp. Code 413
 Hose connection: 4", 6" & 8" Slip-on
 Pump dimensions: 42" W (max.) x 47 1/4" H (max.)
 Max. weight (lbs.): 840 - High volume, 530 - Standard
 Description: Cast iron construction; semi-open, backswept multi-vane, self-cleaning impeller; rests on stand.
 Options: Explosion proof (FM approved) variant 3153.095



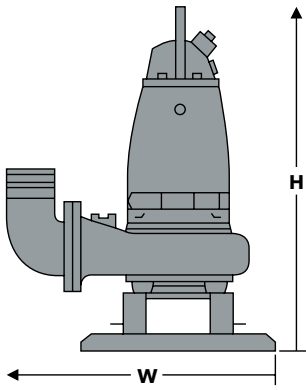
NS 3171



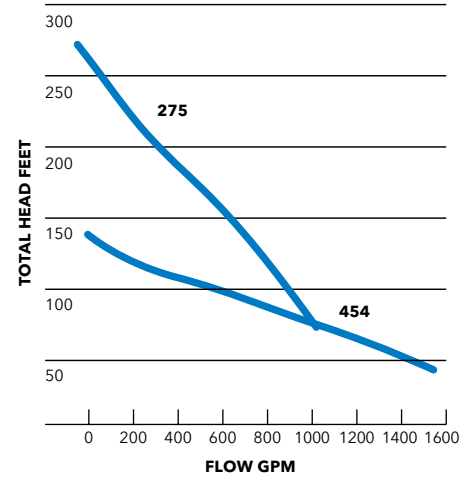
Model number: 3171.185
 Motor rating: 25HP@1160 RPM
 30HP@1740 RPM
 Voltage (3 ϕ): 230V 460V
 Full load amps: 64/74 32/37
 575V
 25/30/31A
 Versions: 6" Standard, Imp. Code 435
 10" High volume, Imp. Code 613
 Hose connection: 6" & 10" Slip-on
 Pump dimensions: 45 1/2" W (max.) x 51 1/4" H (max.)
 Max. weight (lbs.): 1060 - High volume, 770 - Standard
 Description: Cast iron construction; semi-open, backswept multi-vane, self-cleaning impeller; rests on stand.
 Options: Explosion proof (FM approved) variant 3171.095



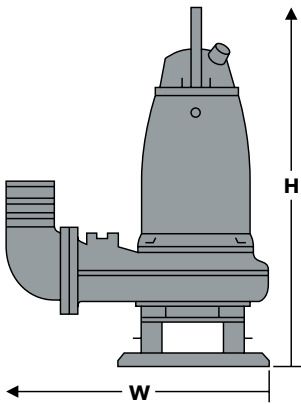
NS 3171 (Continued)



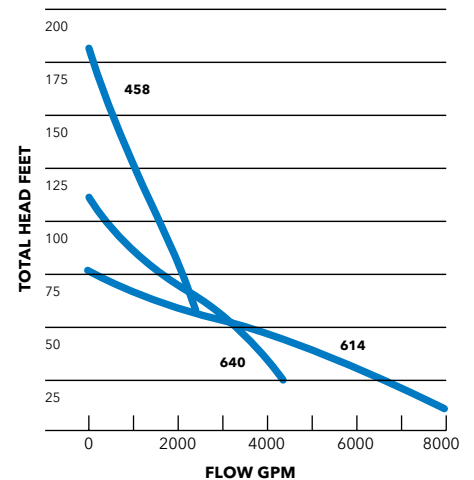
Model number: 3171.185
 Motor rating: 30 HP@1740 RPM
 34 HP@3525 RPM
 Voltage (3 ϕ): 230V 460V
 Full load amps: 74/79A 37/40A
 575V
 25/30/31A
 Versions: 4" Super high head
 Imp. Code 275
 4" High head
 Imp. Code 454
 Hose connection: 4", 6" & 10" Slip-on
 Pump dimensions: 45¹/₂" W (max.) x 51¹/₄" H (max.)
 Max. weight (lbs.): 1060 - High volume, 770 - Standard
 Description: Cast iron construction; semi-open,
 backswept multi-vane, self-cleaning
 impeller; rests on stand.
 Options: Explosion proof (FM approved)
 variant 3171.095



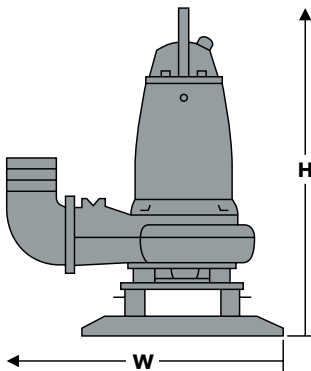
NS 3202



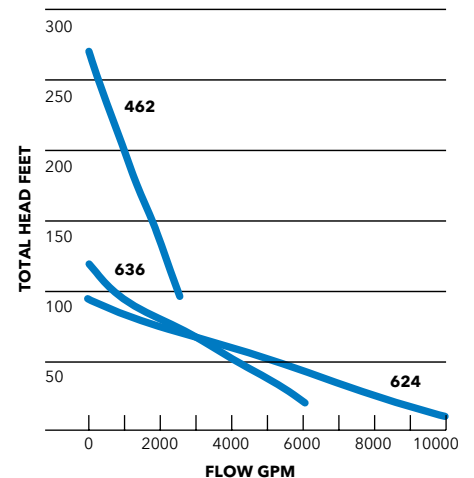
Model number: 3202.185
 Motor rating: 60 HP@1170 RPM & 1775 RPM
 70 HP@1775 RPM
 Voltage (3 ϕ): 460V 575V
 Full load amps: 72/68/80A 58/55/63A
 Versions: 6" High head
 Imp. Code 458
 8" Standard
 Imp. Code 640
 10" High volume
 Imp. Code 614
 Hose connection: 6", 8" & 10" Slip-on
 Pump dimensions: 52¹/₂" W (max.) x 62" H (max.)
 Max. weight (lbs.): 1985 - High volume
 1340 - Standard
 Description: Cast iron construction; semi-open,
 backswept multi-vane, self-cleaning
 impeller; rests on stand.
 Options: Explosion proof (FM approved)
 variant 3202.095



NS 3301



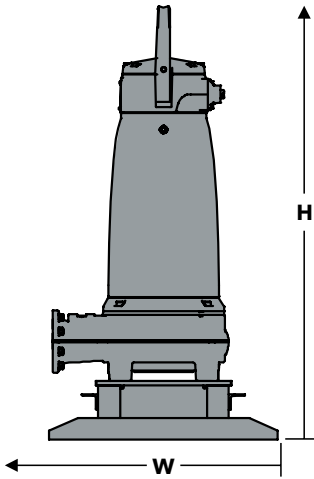
Model number: 3301.185
 Motor rating: 85 HP@1185 RPM
 105 HP@1780 RPM
 Voltage (3 ϕ): 460V 575V
 Full load amps: 109/121A 88/97A
 Versions: 6" High head
 Imp. Code 462
 10" Standard
 Imp. Code 636
 12" High volume
 Imp. Code 624
 Hose connection: 6", 10" & 12" Slip-on
 Pump dimensions: 56³/₄" W (max.) x 67¹/₄" H (max.)
 Max. weight (lbs.): 1985 - High volume
 1340 - Standard
 Description: Cast iron construction; semi-open,
 backswept multi-vane, self-cleaning
 impeller; rests on stand.
 Options: Explosion proof (FM approved)
 variant 3301.095



3000 Series Heavy-Duty Sewage Pumps for Rental

When higher capacity is required, these models deliver unprecedented pumping power - reliably and efficiently.

NS 3315

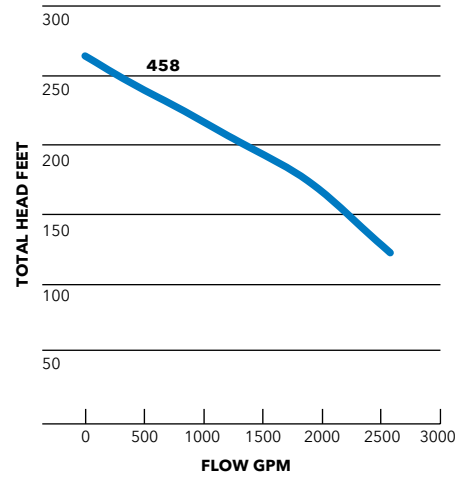


Model number: 3315.090
 Motor Rating: 160HP @ 1780 RPM

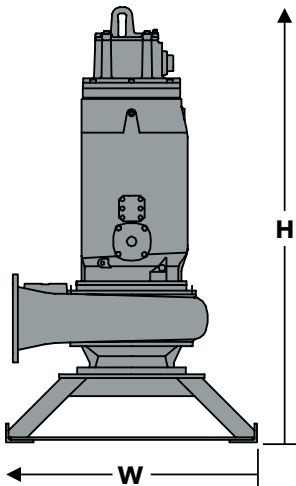
Voltage: 460V
 Full load amps: 190
 Versions: 6" High Head
 Imp. Code 458

Hose connection: NPSM threaded
 Pump dimensions: 40 1/8" W x 78 1/2" H
 Max. weight (lbs.): 2690
 Description: Cast iron construction;
 semi-open, backswept
 multi-vane, self-cleaning
 impeller; rests on bottom stand.

Options: Explosion proof (FM approved)



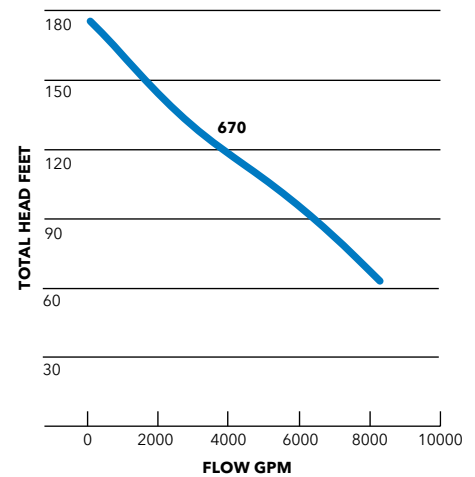
NS 3312



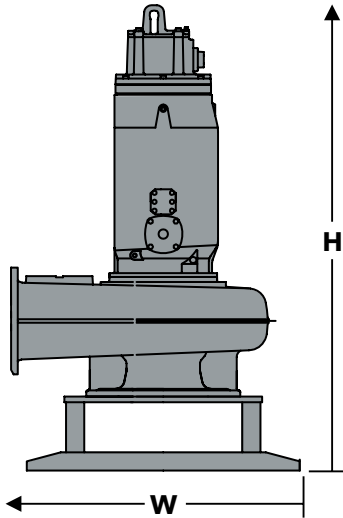
Model number: 3312/746
 Motor Rating: 215HP @ 1185 RPM

Voltage: 460V
 Full load amps: 254
 Versions: 12" Standard
 Imp. Code 670 (455mm trim)

Hose connection: ANSI Flange
 Pump dimensions: 52 5/8" W x 93 3/4" H
 Max. weight (lbs.): 5126
 Description: Cast iron construction;
 semi-open, backswept
 multi-vane, self-cleaning
 impeller; rests on bottom stand.



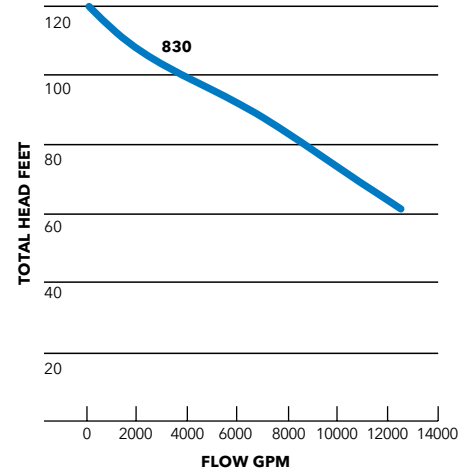
CS 3400



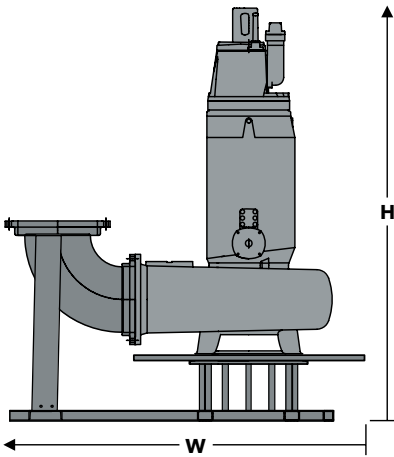
Model number: 3400/805
 Motor Rating: 240HP @ 890 RPM

Voltage: 460V
 Full load amps: 295
 Versions: 16" Standard
 Imp. Code 830
 (510mm trim)

Hose connection: ANSI Flange
 Pump dimensions: 63 1/2" W x 102 1/2" H
 Max. weight (lbs.): 6350
 Description: Cast iron construction;
 closed solids-handling
 impeller with thrulet,
 wear ring; rests on stand.



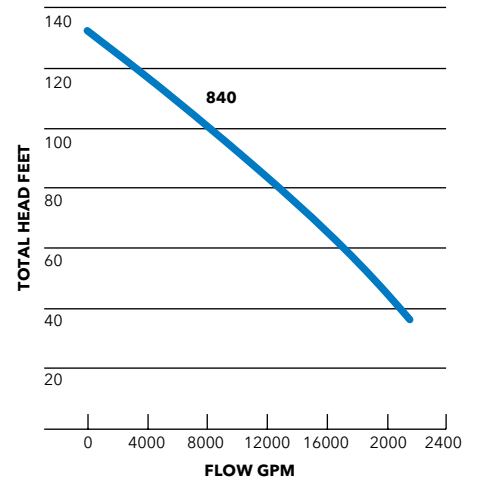
CS 3531



Model number: 3531/835
 Motor Rating: 335HP @ 890 RPM

Voltage: 460V
 Full load amps: 430
 Versions: 20" Standard
 Imp. Code 840
 (560mm trim)

Hose connection: 24" ANSI Flange Elbow
 Pump dimensions: 102" W x 132" H
 Max. weight (lbs.): 13,405 (including stand,
 elbow, vortex plate
 Description: Cast iron construction;
 closed solids-handling
 impeller with thrulet,
 wear ring; rests on stand.



Flygt 5000 Series

A chain is only as strong as its weakest link. That's why we pay attention to the details: it's only by eliminating all the weak links that we can supply pumps our customers really can rely on. Pumps that give them greater peace of mind.

The main difference between slurry and waste water pumps is in the parts that are in direct contact with the slurry and thus subject to wear by the slurry's solid particles.

Better heat transfer

Our specially designed and manufactured motor provides enhanced cooling because heat losses are concentrated around the stator. Trickle impregnated in resin (Class H insulation), the stator windings are rated at 180°C (355°F) and enable up to 30 starts per hour.

Efficient cooling

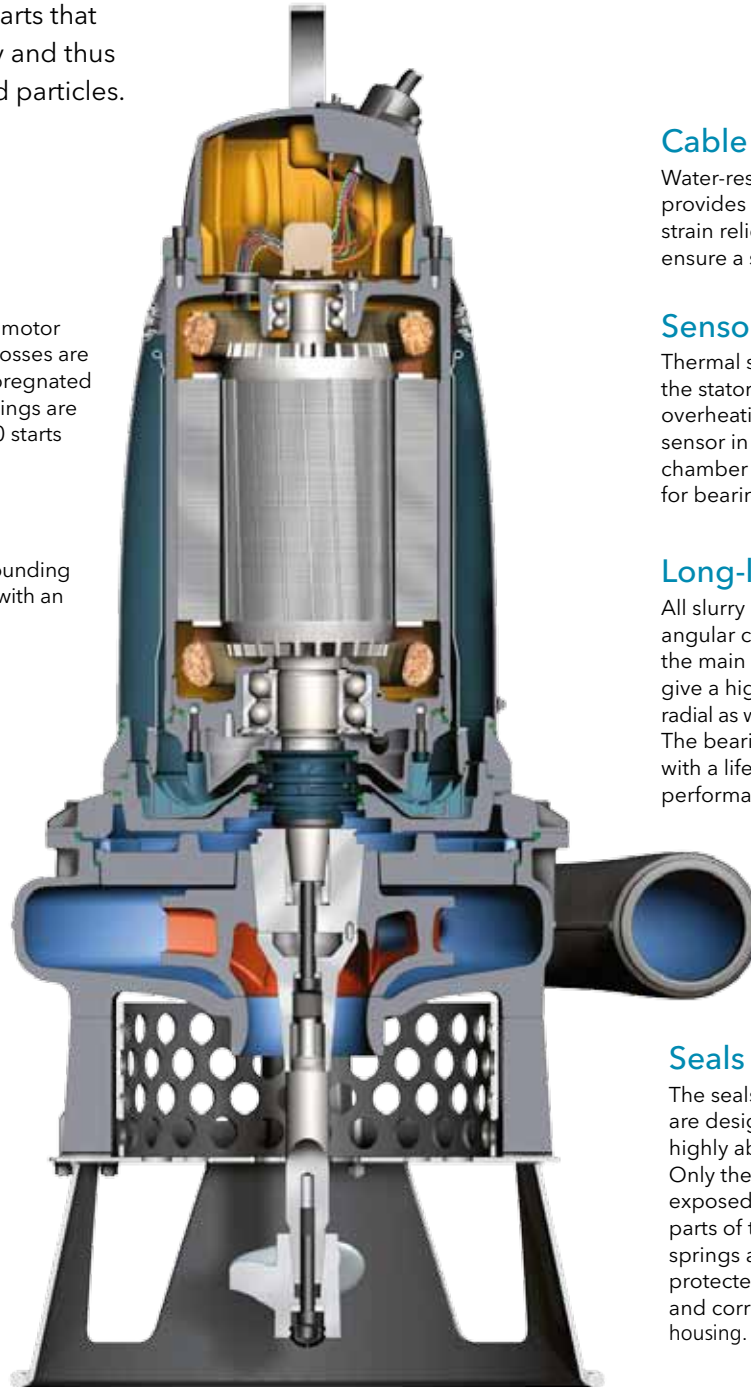
These pumps are cooled either by the surrounding liquid or, in more demanding applications, with an internal closed-loop cooling system.

Inspection chamber

To increase operational reliability, an inspection chamber between the seal unit and the bearings enables rapid spot checks and maintenance. In the case of a seal failure, a built-in sensor provides an early warning of any fluid build-up, thus reducing the risk of expensive repair work.

Agitator

The pump can be equipped with an agitator. The unique design of Flygt agitators create a strong vertical thrust, which forces settled solids into suspension. This makes the particles easier to transport and ensures a cleaner sump at the end of the pumping cycle. When pumping coarse slurries, an agitator mounted on the pump shaft resuspends settled particles and makes them possible to transport.



Cable entry

Water-resistant cable entry provides both sealing and strain relief functions to ensure a safe installation.

Sensors

Thermal sensors embedded in the stator windings prevent overheating, and a leakage sensor in the inspection chamber minimizes the risk for bearing and stator failure.

Long-life bearings

All slurry pumps have two row angular contact ball bearings as the main bearing, because they give a high load capability in the radial as well as the axial direction. The bearings are well protected with a lifetime lubrication of high performance grease.

Seals

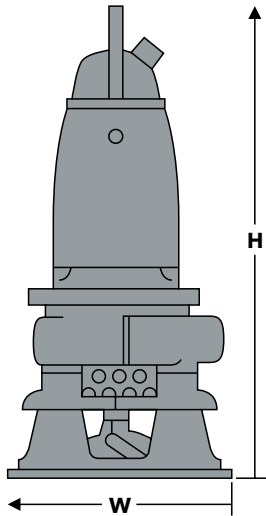
The seals for the slurry pumps are designed to cope with highly abrasive pump media. Only the seal rings are exposed to the media. Other parts of the seal, such as springs and torque locks are protected from wear, clogging and corrosion inside the seal housing.

Flygt 5150-series submersible pump equipped with agitator

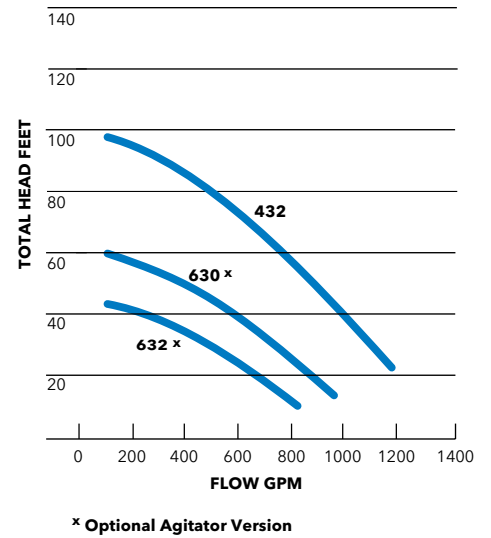
5000 Series Heavy-Duty Slurry Pumps

HS 5100/5500 series pumps will easily handle extremely abrasive slurries containing sand, gravel, grit or ash, without damage. Both the impeller and pump casing are made of high chrome alloyed cast iron, for maximum abrasion resistance. The HS 5100 series pumps use a one-piece pump casing, while the HS 5500 series have a replaceable liner of high chrome alloyed cast iron. Heavy-duty mechanical seals are protected by a unique expeller and pressure isolation chamber. The optional agitator, when attached to the shaft, resuspends particles around the pump inlet.

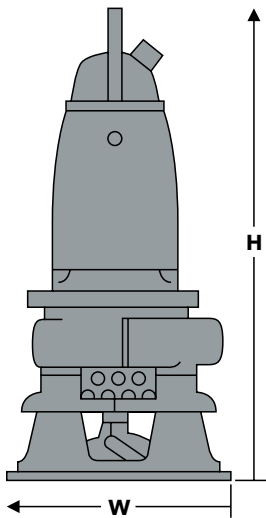
HS 5100.211



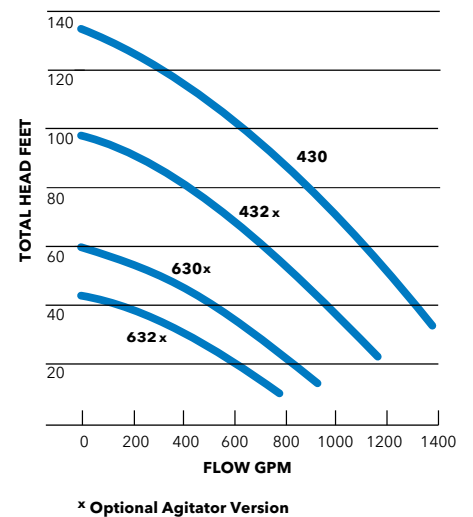
Model number: 5100.211
 Motor rating: 15 HP@1150 RPM
 20 HP@1755 RPM
 Voltage (3 ϕ): 230V
 Full load amps: 46/52A
 460V 575V
 22/26A 17/21A
 Versions: 4" Std., Imp.
 4" High vol., Imp.
 Discharge conn: 4" Victaulic
 Pump dimensions: 23 1/2" W (max.),
 45 1/4" H (max.)
 Max. weight (lbs.): 555
 Description: Cast iron construction with high chrome volute; high chrome multi-vane closed impeller; rests on stand.
 Options: Agitator;
 Explosion proof (FM approved) variant 5100.221



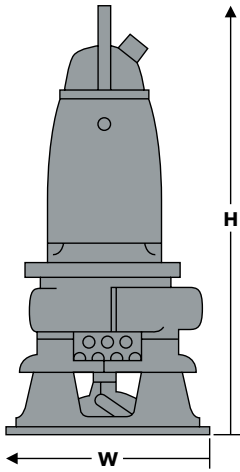
HS 5100.251



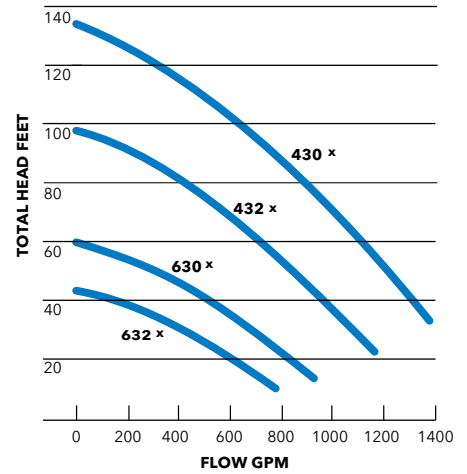
Model number: 5100.251
 Motor rating: 25 HP@1160 RPM
 34 HP@1760 RPM
 Voltage (3 ϕ): 230V
 Full load amps: 64/81A
 460V 575V
 32/40A 25/32A
 Versions: 4" Std., Imp.
 4" High vol., Imp.
 Discharge conn: 4" Victaulic
 Pump dimensions: 23 1/2" W (max.),
 50 1/4" H (max.)
 Max. weight (lbs.): 710
 Description: Cast iron construction with high chrome volute; high chrome multi-vane closed impeller; rests on stand.
 Options: Agitator;
 Explosion proof (FM approved) variant 5100.261



HS 5100.300

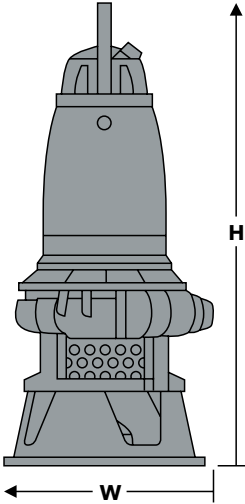


Model number: 5100.300
 Motor rating: 45HP@1170 RPM
 70HP@1775 RPM
 Voltage (3Ø): 460V 575V
 Full load amps: 55/72/80A 44/58/63A
 Versions: 4" Standard
 Imp. Code 430, 432
 4" High volume
 Imp. Code 630, 632
 Discharge conn: 4" Victaulic
 Pump dimensions: 23 1/2" W (max.),
 57 3/4" H (max.)
 Max. weight (lbs.): 1095
 Description: Cast iron construction with high
 chrome volute; high chrome
 multi-vane closed impeller; rests
 on stand.
 Options: Agitator;
 Explosion proof (FM approved)
 variant 5100.310

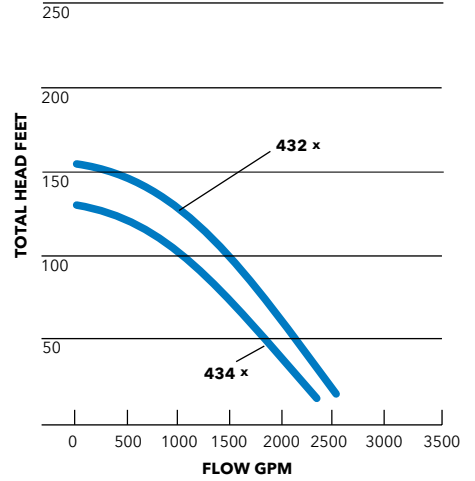


* Optional Agitator Version

HS 5150.300

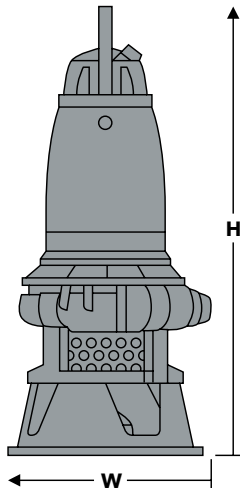


Model number: 5150.300
 Motor rating: 60HP@1775 RPM
 Voltage (3Ø): 460V 575V
 Full load amps: 68/80A 55/63A
 Versions: 6" Standard
 Imp. Code 432, 434
 Discharge conn: 6" Victaulic
 Pump dimensions: 34 1/2" W (max.),
 65 1/4" H (max.)
 Max. weight (lbs.): 1465
 Description: Cast iron construction with high
 chrome volute; high chrome
 multi-vane closed impeller; rests
 on stand.
 Options: Agitator;
 Explosion proof (FM approved)
 variant 5150.310

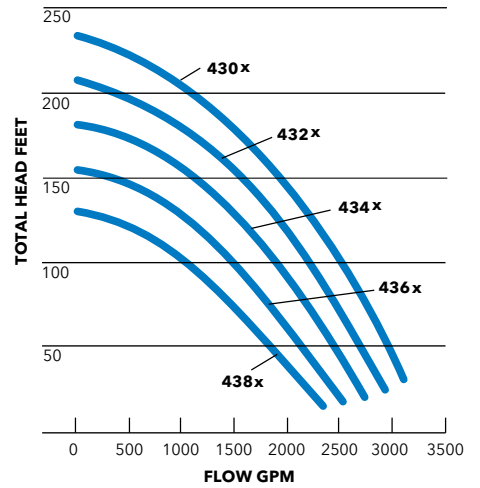


* Optional Agitator Version

HS 5150.350

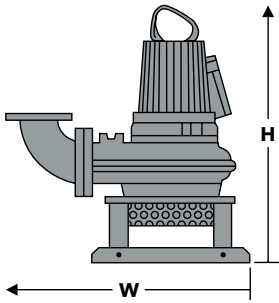


Model number: 5150.350
 Motor rating: 85HP@1775 RPM
 Voltage (3Ø): 460V 575V
 Full load amps: 101/125A 80/101A
 Versions: 6" Standard
 Imp. Code 430, 432, 434,
 436, 438
 Discharge conn: 6" Victaulic
 Pump dimensions: 34 1/2" W (max.),
 70 1/4" H (max.)
 Max. weight (lbs.): 2005
 Description: Cast iron construction with high
 chrome volute; high chrome
 multi-vane closed impeller; rests
 on stand.
 Options: Agitator;
 Explosion proof (FM approved)
 variant 5150.360

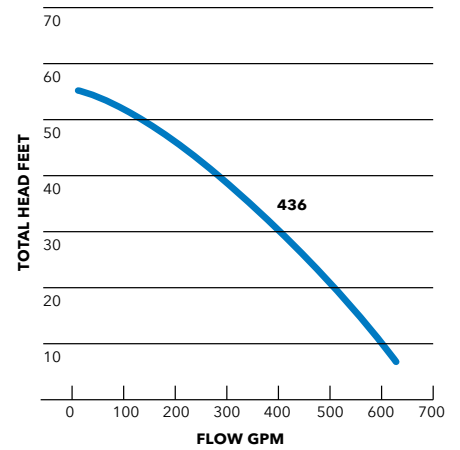


* Optional Agitator Version

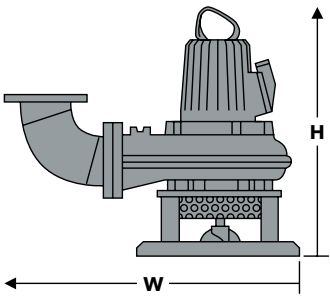
HS 5520



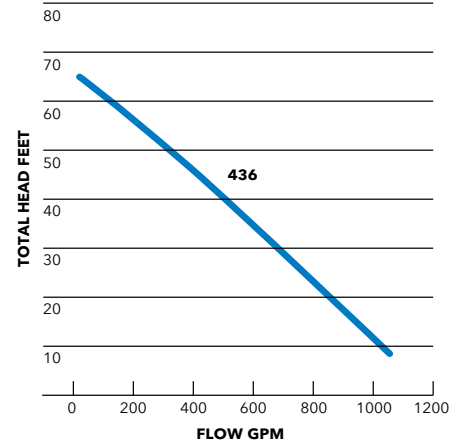
Model number: 5520.180
 Motor rating: 5 HP @ 1735 RPM
 Voltage (3 ϕ): 460V
 Full load amps: 6.6A
 Discharge conn: 4" Flange
 Impeller code: 436
 Pump dimensions: 29 1/2" W (max.),
 33 1/2" H (max.)
 Max. weight (lbs.): 380
 Stator and pump housing material: Cast iron
 Options: FM approved variant;
 Warm liquid version available



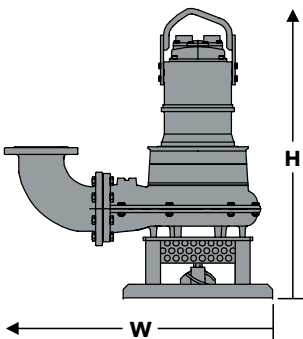
HS 5530



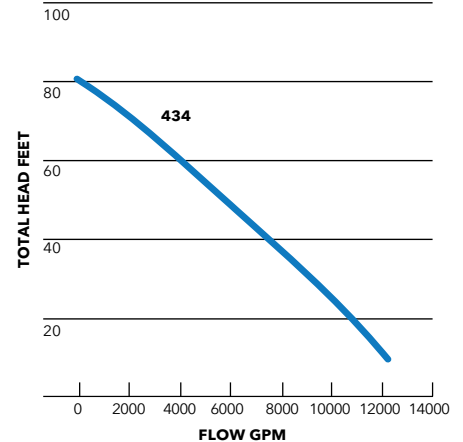
Model number: 5530.180
 Motor rating: 10 HP @ 1740 RPM
 Voltage (3 ϕ): 460V
 Full load amps: 13A
 Discharge conn: 6" Flange
 Impeller code: 436
 Pump dimensions: 42 1/2" W (max.),
 40" H (max.)
 Max. weight (lbs.): 680
 Stator and pump housing material: Cast iron
 Options: Agitator;
 FM approved variant;
 Warm liquid version available



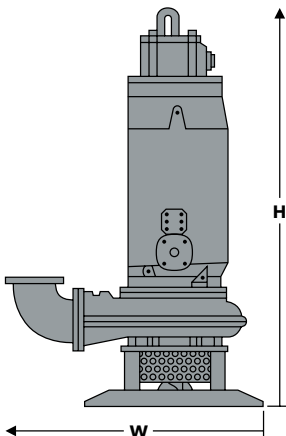
HS 5540



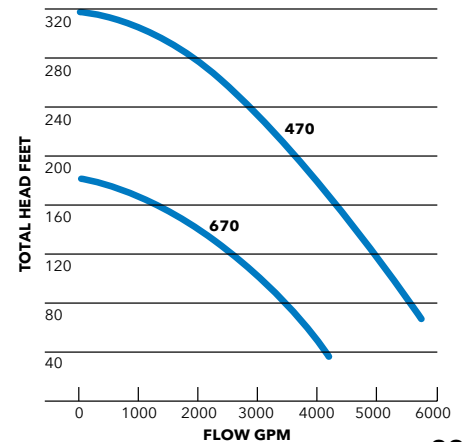
Model number: 5540.181
 Motor rating: 20 HP @ 1750 RPM
 Voltage (3 ϕ): 460V
 Full load amps: 26
 Discharge conn: 6" Flange
 Impeller code: 434
 Pump dimensions: 42 1/2" W (max.),
 46 1/4" H (max.)
 Max. weight (lbs.): 891
 Stator and pump housing material: Cast iron
 Options: Agitator (Imp. Code 435);
 FM approved variant;
 Warm liquid version available



HS 5570



Model number: 5570.180
 Motor rating: 335 HP @ 1760 RPM
 280 HP @ 1185 RPM
 Voltage (3 ϕ): 460V 575V
 Full load amps: 365/345A 300/266A
 Discharge conn: 8" Flange
 Impeller code: 470, 670
 Pump dimensions: 59" W (max.),
 80 1/4" H (max.)
 Max. weight (lbs.): 3230
 Stator and pump housing material: Cast iron
 Options: Agitator;
 FM approved variant;
 Warm liquid version available



Flygt Accessories

Automatic Level Control Systems



Xylem offers a family of automatic controls that allow unattended operation of Flygt portable pumps. They are available with either two Flygt ENM-10 level sensors or with FPC 100 controller. The FPC 100 allows for automatic pump operation without the use of floats or level sensors.

Manual Control for Medium and Large Portable Pumps



A complete range of manual controls are available for medium and large portable Flygt submersible pumps. Each NEMA 4X enclosure is equipped with the correct circuit breaker/overload for pump protection of the model involved.

Manual Control for Small Portable Pumps



These strong, rugged units provide easy manual control and full electrical protection for smaller Flygt portable submersibles. They include Flygt short-circuit and overload protection, along with starting components for single phase models, housed in a NEMA 4X watertight and corrosion resistant enclosure.

Zinc Anodes



High grade zinc anode kits are available for most Flygt submersible pumps to help protect against the damaging effects of galvanic corrosion. The anodes are easily mounted to the pump with the stainless steel hardware provided. Specify exact pump model when ordering.

Tandem Coupling Kits



Tandem coupling kits are available for most models, allowing the pump to connect in series with another Flygt submersible pump to overcome severe vertical heights. The coupling kit is easily installed after the strainer is removed, allowing the connecting hose from another pump to be attached with clamps. Consult your nearest Flygt location for pressure limitations and other application requirements.

Flygt FPC100 Automatic Pump Controller



The Flygt FPC100 Automatic Pump Controller is used primarily for dewatering pumps in construction and mining applications where ordinary level sensors are not the ideal choice. The FPC 100 offers entirely automatic pump control without the need for components built into the pump or separate level sensor arrangements.

Flygt Pump Flotation Modules



Flygt pump flotation modules (PFM) have been developed to provide a light-weight and cost-effective alternative to traditional steel pontoons. The flotation modules are prefabricated from strong polyethylene with foam filling. The pump floats close to the surface, increasing the pump's service life and reducing maintenance since the pump is no longer working in a high solids environment.

Low Suction Collar



The Flygt low suction collar removes unwanted water down to very low levels when required for emergency services. This works with pump models 2610, 2620 and 2640.

Xylem |'zīləm|

1. The tissue in plants that brings water upward from the roots
2. A leading global water technology company

We're 12,000 people unified in a common purpose: creating innovative solutions to meet our world's water needs. Developing new technologies that will improve the way water is used, conserved, and re-used in the future is central to our work. We move, treat, analyze, and return water to the environment, and we help people use water efficiently, in their homes, buildings, factories and farms. In more than 150 countries, we have strong, long-standing relationships with customers who know us for our powerful combination of leading product brands and applications expertise, backed by a legacy of innovation.

For more information on how Xylem can help you, go to xylem.com



Dewatering Solutions

Bridgeport, NJ • Telephone +1 (856) 467-3636

Flygt is a brand of Xylem. For the latest version of this document, more information about Flygt products and the nearest office location or distributor near you visit

www.godwinpumps.com

www.flygt.com