

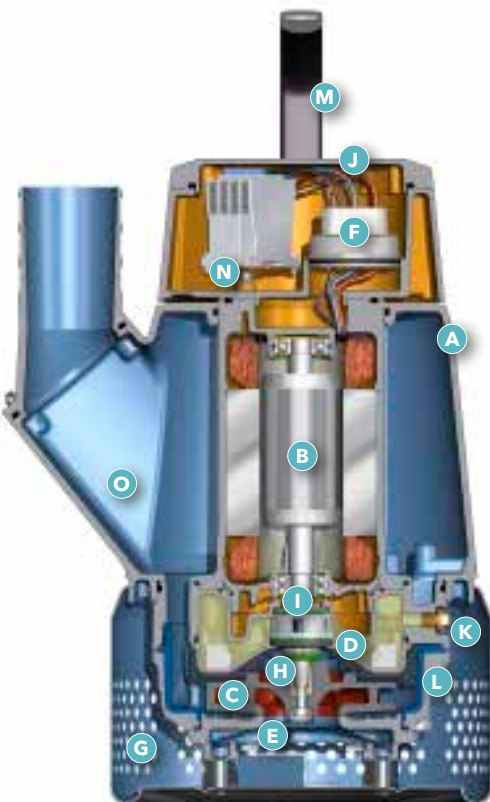
60Hz

Flygt BIBO 2840

SOME THINGS MAKE A LASTING IMPRESSION

For decades whenever a dewatering challenge seemed too tough or too harsh, the answer has been simple, Flygt BIBO. So how do you improve upon a legend? Simple, we created a new one.

It still has the iconic look; a shape that means stability and robustness. We took our proven hydraulic design and merged it with features that once set the standard in dewatering pumping. For mining, quarrying, construction and tunneling, Flygt BIBO, still a choice you never regret.

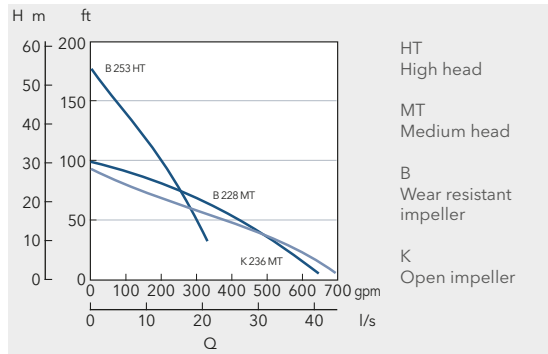


- A Air valve**
The cooler the motor, the better the performance.
- B Class H motor**
- C Dura-Spin™**
The unique closed impeller and the suction cover which reduces wear.
- D Spin-Out™**
Protects the outer seal from abrasive particles.
- E Hard-Iron™ impeller and suction cover.**
- F Sealed off terminal board**
- G Strainer bottom with shock absorbers**
- H Single impeller-adjustment screw**
- I Plug-in™ seal with aluminum housing**
- J Inspection cover**
- K External inspection and oil plugs**
- L PolyLife™ coated wear parts**
- M Handle with adjustable height**
- N Less risk of cable damage with a protected cable entry**
- O Wide base and low discharge**



FLYGT
a xylem brand

Performance



Rating

6,0 hk (4,5 kW) / 1-phase / 3 480 rpm

Voltage V	Rated current A	Starting current A
230	25	107

Rating

8,8 hk (6,6 kW) / 3-phase / 3 500 rpm

Voltage V	Rated current A	Starting current A
200 D	24	185
208 D	24	194
220 D	22	159
220 Y parallel	22	158
230 D	21	167
230 Y parallel	22	166
240 D	21	175
240 Y parallel	22	174
380 D	13	101
380 Y parallel	13	92
400 D	13	107
400 Y parallel	13	94
440 D	11	80
440 D serial	11	77
440 Y serial	11	79
460 D	11	84
460 D serial	11	83
460 Y serial	11	83
480 D	11	88
575 D	8.5	64
575 Y	8.4	58
600 D	8.5	67
600 Y	8.4	61

xylem
Let's Solve Water

XYLEM
Gesällvägen 33
174 87 Sundbyberg, Sweden
Tel +46 8 475 60 00
www.xyleminc.com
www.flygt.com

Denomination

Product code	2840.180
Installation	Portable
Discharge connection	3"/4"
Impeller characteristics	High head/medium head (HT/MT) Wear resistant impeller (B) with Dura-Spin™, Open impeller (K)

Process data

Liquid temperature	max 104°F (40°C), standard
Depth of immersion	max 65 feet (20 m)
Liquid density	9.2 lb. per US gal. (1100 kg/m ³)
Strainer hole dimension	ø 0.39" (10.0 mm)
The pH of the pumped liquid	pH 5-8

Motor data

Frequency	60 Hz
Insulation class	H, 360°F (180°C)
Voltage variation	max ± 10% - continuously running max ± 10% - intermittent running
Voltage imbalance	max 2% - between phases max 30 - No. of starts/hour

Monitoring equipment

Thermal contacts	284°F (140°C)
------------------	---------------

Cables

SUBCAB®	SUBCAB® Submersible cable
---------	---------------------------

Materials

Outer casing	Aluminium
Impeller	Hard-Iron®
Wear parts	PolyLife/Nitrile rubber/Hard-Iron®
Stator housing	Aluminum
Strainer	Stainless steel
Shaft	Stainless steel
O-rings	Nitrile rubber
Discharge connection	Aluminium

Mechanical face seals

Inner Active Seal™	Aluminium oxide/Tungsten carbide
Outer	Tungsten carbide/Tungsten carbide

Weight and dimensions

Weight (excl. cable)	123 lbs. (56 Kg)
Height	30" (762 mm)
Width	ø 14.5" (367 mm)

Options

Warm liquid version	Warm liquid version max 158°F (70°C)
Quick couplings	
Starters	
Level regulators	

Accessories

Tandem connections, hose connections. Electrical accessories such as pump controllers, control panels and monitoring relays. Zink anodes.